

1. Product main performance/产品主要性能指标:

Operating Temperature/工作温度 : -55°C~150°C  
 Humidity(max)/最大潮湿 : <=95% [at 60 deg C / 140 F]  
 Shielding /屏蔽性能 : 75dB(10MHz) 40dB(1GHz)  
 Salt Spray Corrosion/盐雾 : 96hr

Mechanical data/机械特性:

Vibration/振动 : 15g[10Hz~2000Hz]  
 Shock Resistance/冲击 : 100g[6ms]  
 Endurance (Shell)/机械寿命 : 5000+  
 Cable/配接电缆:  $\phi$ 2.1mm- $\phi$ 3.0mm

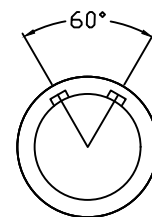
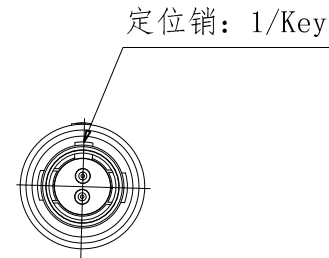
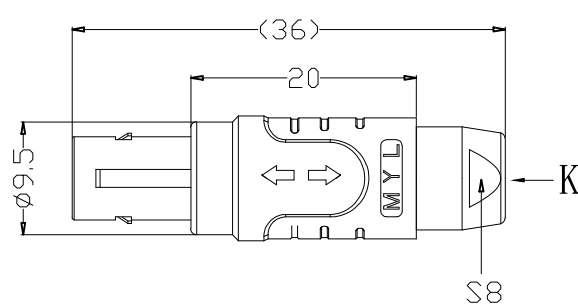
2. 电气性能

Insert Configuration/针芯配置: OBP.302 2Low Voltage  
 Pin Size/接触件直径:  $\phi$ 0.9mm  
 Contact resistance接触电阻:  $\leq$ 9m $\Omega$   
 Insulation resistance/绝缘电阻: 5000M $\Omega$  (测试电压500V(DC))  
 Withstand voltage/耐电压: 1300V(AC)  
 Rated working current额定工作电流: 10.0A

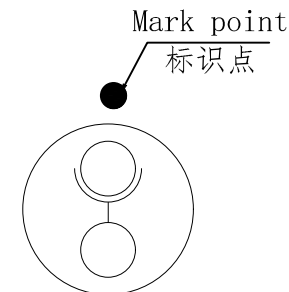
Other Specification/其它规格:

Contact PIN/接触体 : Gold plated Tin bronze/锡青铜镀金  
 Housing Material/外壳材质 : PEEK  
 Other Shell Material/其它壳体材质: 铜镀镍  
 Insulator material/绝缘体材料: PPS  
 IP Rating/防护等级 : IP50

\*ALL MATERIALS ARE RoHS COMPLIANT/所有材料均符合RoHS要求.



Plug front view  
插头前视图



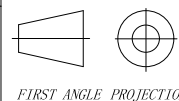
view K  
K向孔位排列

DRAWN BY:  
绘图: Z01 2024. 6. 12  
 CHECKED BY:  
审核: Z01 2024. 6. 12  
 APPROVED BY:  
核准: PD05 2024. 6. 12



美易连电子科技(深圳)有限公司  
 Meiyilian electronic technology(shenzhen)Co.Ltd.

GENERAL TOLERANCE  
(UNLESS SPECIFIED)  
 $\leq$ 10  $\pm$ 0.1  
 $<10 \sim \leq 20$   $\pm$ 0.15  
 $<20 \sim \leq 50$   $\pm$ 0.3  
 Angle  $\pm$ 1°



REV/版本 A1

单位  
UNT: mm  
 比例  
SCALE: 1: 1  
 SIZE: A4  
 SHEET: 1 OF 1

名称  
PART NAME  
 型号  
PART NAME

TG-OBP直式插头  
(不带护套式尾冒)  
 TGB. OBP. 302. KWLAD32