

1. Product main performance/产品主要性能指标:

Operating Temperature/工作温度 : -55°C~150°C
 Humidity(max)/最大潮湿 : <=95% [at 60 deg C / 140 F]
 Shielding /屏蔽性能 : 75dB(10MHz) 40dB(1GHz)
 Salt Spray Corrosion/盐雾 : 96hr

Mechanical data/机械特性:

Vibration/振动 : 15g[10Hz~2000Hz]
 Shock Resistance/冲击 : 100g[6ms]
 Endurance (Shell)/机械寿命 : 5000+
 Cable/配接电缆: ϕ 4.1mm- ϕ 5.0mm

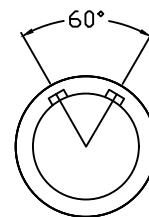
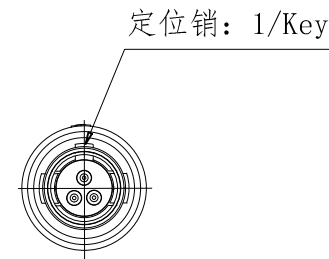
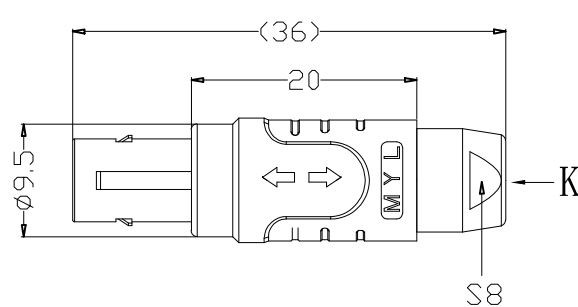
2. 电气性能

Insert Configuration/针芯配置:OBP.303 3Low Voltage
 Pin Size/接触件直径: ϕ 0.9mm
 Contact resistance接触电阻: \leq 9m Ω
 Insulation resistance/绝缘电阻:5000M Ω (测试电压500V(DC))
 Withstand voltage/耐电压:1200V(AC)
 Rated working current额定工作电流:8.0A

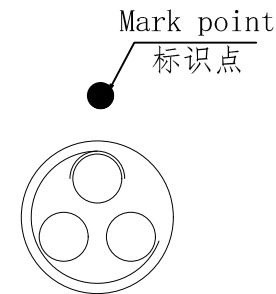
Other Specification/其它规格:

Contact PIN/接触体 : Gold plated Tin bronze/锡青铜镀金
 Housing Material/外壳材质 : PEEK
 Other Shell Material/其它壳体材质: 铜镀镍
 Insulator material/绝缘体材料: PPS
 IP Rating/防护等级 : IP50


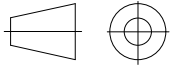
*ALL MATERIALS ARE RoHS COMPLIANT/所有材料均符合RoHS要求.



Plug front view
插头前视图



view K
K向孔位排列

DRAWN BY: 绘图:Z01 2024.6.12 CHECKED BY: 审核:Z01 2024.6.12 APPROVED BY: 核准:PD05 2024.6.12		 美易连电子科技(深圳)有限公司 Meiyilian electronic technology(shenzhen)Co.Ltd.	
GENERAL TOLERANCE (UNLESS SPECIFIED) $\leq 10 \pm 0.1$ $< 10 \sim \leq 20 \pm 0.15$ $< 20 \sim \leq 50 \pm 0.3$ Angle $\pm 1^\circ$		 FIRST ANGLE PROJECTION	
		单位 UNT: mm	名称 PART NAME
		比例 SCALE: 1: 1	TG-OBP直式插头 (不带护套式尾冒)
		SIZE: A4	型号 PART NAME
		REV/版本 A1	TGB. OBP. 303. KWLAD52
		SHEET: 1 OF 1	