

1. Product main performance/产品主要性能指标:

Operating Temperature/工作温度 : -55°C~150°C

Humidity(max)/最大潮湿 : <=95% [at 60 deg C / 140 F]

Shielding /屏蔽性能 : 75dB(10MHz) 40dB(1GHz)

Salt Spray Corrosion/盐雾 : 96hr

Mechanical data/机械特性:

Vibration/振动 : 15g[10Hz~2000Hz]

Shock Resistance/冲击 : 100g[6ms]

Endurance (Shell)/机械寿命 : 5000+

Cable/配接电缆:  $\phi$ 2.4mm- $\phi$ 3.3mm

2. 电气性能

Insert Configuration/针芯配置: OBP.303 3Low Voltage

Pin Size/接触件直径:  $\phi$ 0.9mm

Contact resistance接触电阻:  $\leq$ 9m $\Omega$

Insulation resistance/绝缘电阻: 5000M $\Omega$  (测试电压500V(DC))

Withstand voltage/耐电压: 1200V(AC)

Rated working current额定工作电流: 8.0A

Other Specification/其它规格:

Contact PIN/接触体 : Gold plated Tin bronze/锡青铜镀金

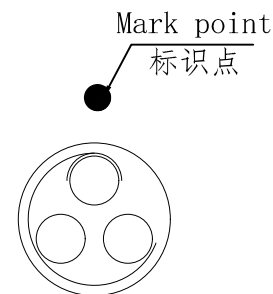
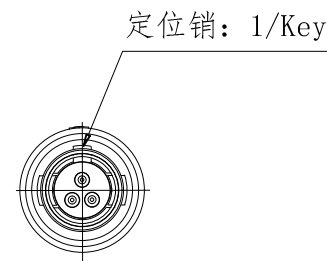
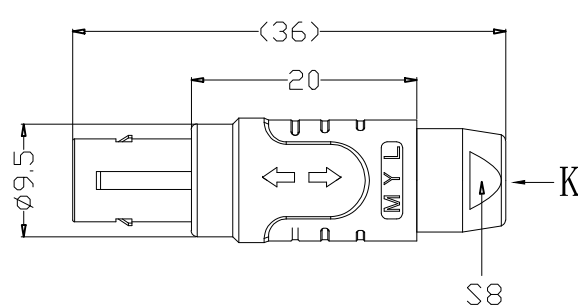
Housing Material/外壳材质 : PEEK

Other Shell Material/其它壳体材质: 铜镀镍

Insulator material/绝缘体材料: PPS

IP Rating/防护等级 : IP50

\*ALL MATERIALS ARE RoHS COMPLIANT/所有材料均符合RoHS要求.

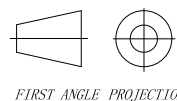


DRAWN BY:  
绘图: Z01 2024. 6. 12  
CHECKED BY:  
审核: Z01 2024. 6. 12  
APPROVED BY:  
核准: PD05 2024. 6. 12



美易连电子科技(深圳)有限公司  
Meiyilian electronic technology(shenzhen)Co.Ltd.

GENERAL TOLERANCE  
(UNLESS SPECIFIED)  
 $\leq$ 10  $\pm$ 0.1  
<10~ $\leq$ 20  $\pm$ 0.15  
<20~ $\leq$ 50  $\pm$ 0.3  
Angle  $\pm$ 1°



FIRST ANGLE PROJECTION

单位  
UNT: mm  
比例  
SCALE: 1: 1  
SIZE: A4  
SHEET: 1 OF 1

名称  
PART NAME  
型号  
PART NAME

TGG-OBP直式插头  
(不带护套式尾冒)  
TGG. OBP. 303. KWLAD35