

1. Product main performance/产品主要性能指标:

Operating Temperature/工作温度 : -55°C~150°C  
 Humidity(max)/最大潮湿 : <=95% [at 60 deg C / 140 F]  
 Shielding /屏蔽性能 : 75dB(10MHz) 40dB(1GHz)  
 Salt Spray Corrosion/盐雾 : 96hr

Mechanical data/机械特性:

Vibration/振动 : 15g[10Hz~2000Hz]  
 Shock Resistance/冲击 : 100g[6ms]  
 Endurance (Shell)/机械寿命 : 5000+  
 Cable/配接电缆:  $\phi$ 2.4mm- $\phi$ 3.3mm

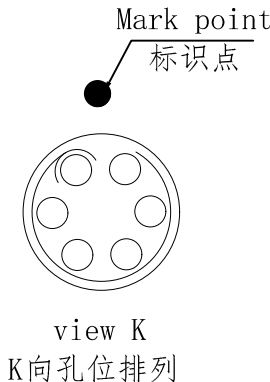
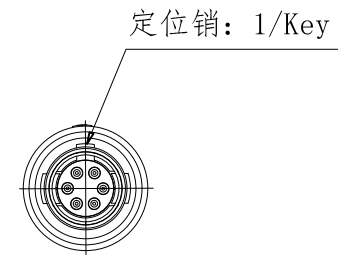
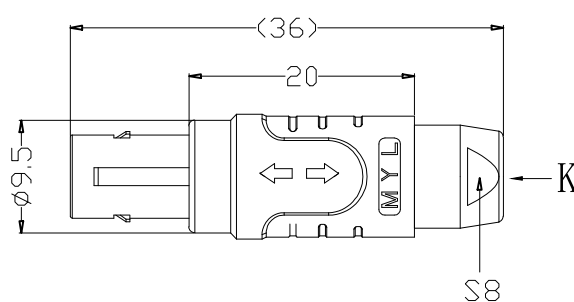
2. 电气性能

Insert Configuration/针芯配置:0BP.306 6Low Voltage  
 Pin Size/接触件直径: $\phi$ 0.5mm  
 Contact resistance接触电阻: $\leq$ 15m $\Omega$   
 Insulation resistance/绝缘电阻:5000M $\Omega$  (测试电压500V(DC))  
 Withstand voltage/耐电压:850V(AC)  
 Rated working current额定工作电流:2.5A

Other Specification/其它规格:

Contact PIN/接触体 : Gold plated Tin bronze/锡青铜镀金  
 Housing Material/外壳材质 : PEEK  
 Other Shell Material/其它壳体材质: 铜镀镍  
 Insulator material/绝缘体材料: PPS  
 IP Rating/防护等级 : IP50

\*ALL MATERIALS ARE RoHS COMPLIANT/所有材料均符合RoHS要求.

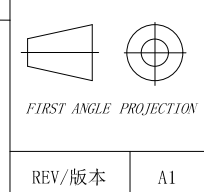


DRAWN BY:  
 绘图:Z01 2024.6.14  
 CHECKED BY:  
 审核:Z01 2024.6.14  
 APPROVED BY:  
 核准:PD05 2024.6.14



美易连电子科技(深圳)有限公司  
 Meiyilian electronic technology(shenzhen)Co.Ltd.

GENERAL TOLERANCE  
 (UNLESS SPECIFIED)  
 $\leq 10 \pm 0.1$   
 $< 10 \sim 20 \pm 0.15$   
 $< 20 \sim 50 \pm 0.3$   
 Angle  $\pm 1^\circ$



单位  
 UNT: mm  
 比例  
 SCALE: 1: 1  
 SIZE: A4  
 SHEET: 1 OF 1

名称  
 PART NAME  
 型号  
 PART NAME

TGG-OBP直式插头  
 (不带护套式尾冒)  
 TGG. OBP. 306. KWLAD35