

1. Product main performance/产品主要性能指标:

Operating Temperature/工作温度 : -55°C~150°C

Humidity(max)/最大潮湿 : <=95% [at 60 deg C / 140 F]

Shielding /屏蔽性能 : 75dB(10MHz) 40dB(1GHz)

Salt Spray Corrosion/盐雾 : 96hr

Mechanical data/机械特性:

Vibration/振动 : 15g[10Hz~2000Hz]

Shock Resistance/冲击 : 100g[6ms]

Endurance (Shell)/机械寿命 : 5000+

Cable/配接电缆:  $\phi$ 2.1mm- $\phi$ 3.0mm

2. 电气性能

Insert Configuration/针芯配置:0BP.309 9Low Voltage

Pin Size/接触件直径: $\phi$ 0.5mm

Contact resistance接触电阻: $\leq$ 15m $\Omega$

Insulation resistance/绝缘电阻:5000M $\Omega$  (测试电压500V(DC))

Withstand voltage/耐电压:600V(AC)

Rated working current额定工作电流:2.0A

Other Specification/其它规格:

Contact PIN/接触体 : Gold plated Tin bronze/锡青铜镀金

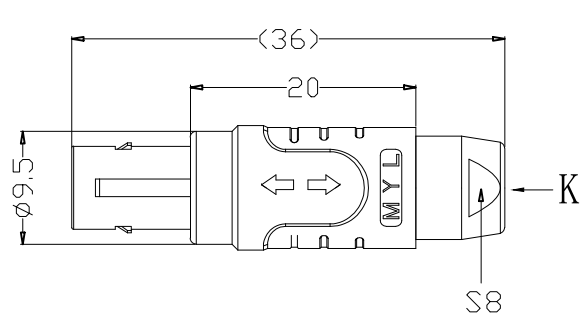
Housing Material/外壳材质 : PEEK

Other Shell Material/其它壳体材质: 铜镀镍

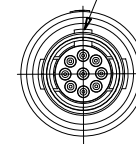
Insulator material/绝缘体材料: PPS

IP Rating/防护等级 : IP50

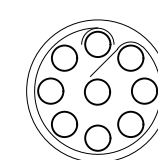
\*ALL MATERIALS ARE RoHS COMPLIANT/所有材料均符合RoHS要求.



定位销: 1/Key



Mark point  
标识点



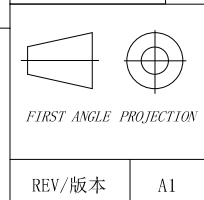
view K  
K向孔位排列

DRAWN BY:  
绘图:Z01 2024.6.14  
CHECKED BY:  
审核:Z01 2024.6.14  
APPROVED BY:  
核准:PD05 2024.6.14



美易连电子科技(深圳)有限公司  
Meiyilian electronic technology(shenzhen)Co.Ltd.

GENERAL TOLERANCE  
(UNLESS SPECIFIED)  
 $\leq 10 \pm 0.1$   
 $< 10 \sim 20 \pm 0.15$   
 $< 20 \sim 50 \pm 0.3$   
Angle  $\pm 1^\circ$



单位  
UNT: mm  
比例  
SCALE: 1: 1  
SIZE: A4  
SHEET: 1 OF 1

名称 PART NAME	TGG-OBP直式插头 (不带护套式尾冒)
型号 PART NAME	TGG. OBP. 309. KWLAD32

REV/版本 A1