

1. Product main performance/产品主要性能指标:

Operating Temperature/工作温度 : -55°C~150°C

Humidity(max)/最大潮湿 : <=95% [at 60 deg C / 140 F]

Shielding /屏蔽性能 : 75dB(10MHz) 40dB(1GHz)

Salt Spray Corrosion/盐雾 : 96hr

Mechanical data/机械特性:

Vibration/振动 : 15g[10Hz~2000Hz]

Shock Resistance/冲击 : 100g[6ms]

Endurance (Shell)/机械寿命 : 5000+

Cable/配接电缆:  $\phi$ 2.4mm- $\phi$ 3.3mm

2. 电气性能

Insert Configuration/针芯配置: OBP.303 3Low Voltage

Pin Size/接触件直径:  $\phi$ 0.9mm

Contact resistance接触电阻:  $\leq$ 9m $\Omega$

Insulation resistance/绝缘电阻: 5000M $\Omega$  (测试电压500V(DC))

Withstand voltage/耐电压: 1200V(AC)

Rated working current额定工作电流: 8.0A

Other Specification/其它规格:

Contact PIN/接触体 : Gold plated Tin bronze/锡青铜镀金

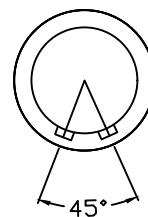
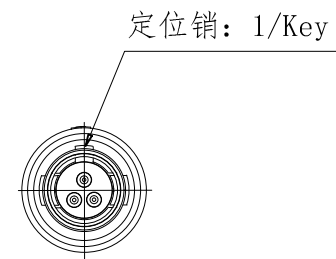
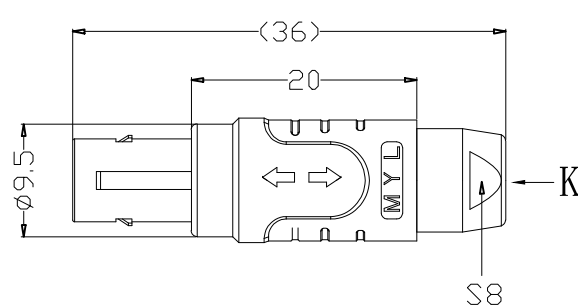
Housing Material/外壳材质 : PEEK

Other Shell Material/其它壳体材质: 铜镀镍

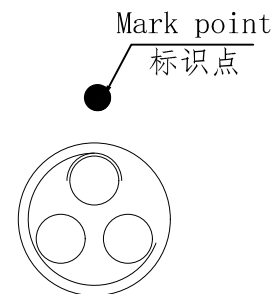
Insulator material/绝缘体材料: PPS

IP Rating/防护等级 : IP50


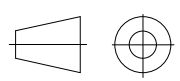
\*ALL MATERIALS ARE RoHS COMPLIANT/所有材料均符合RoHS要求.



Plug front view  
插头前视图



view K  
K向孔位排列

DRAWN BY: 绘图: Z01 2024. 6. 12 CHECKED BY: 审核: Z01 2024. 6. 12 APPROVED BY: 核准: PD05 2024. 6. 12		 美易连 MEIYILIAN 美易连		美易连电子科技(深圳)有限公司 Meiyilian electronic technology(shenzhen)Co.Ltd.	
GENERAL TOLERANCE (UNLESS SPECIFIED) $\leq 10 \pm 0.1$ $< 10 \sim \leq 20 \pm 0.15$ $< 20 \sim \leq 50 \pm 0.3$ Angle $\pm 1^\circ$		 FIRST ANGLE PROJECTION		单位 UNT: mm 名称 PART NAME 比例 SCALE: 1: 1 型号 PART NAME	TG-OBP直式插头 (不带护套式尾冒) TGJ. OBP. 303. KWLAD35
REV/版本		A1		SHEET: 1 OF 1	