

1. Product main performance/产品主要性能指标:

Operating Temperature/工作温度 : -55°C~150°C

Humidity(max)/最大潮湿 : <=95% [at 60 deg C / 140 F]

Shielding /屏蔽性能 : 75dB(10MHz) 40dB(1GHz)

Salt Spray Corrosion/盐雾 : 96hr

Mechanical data/机械特性:

Vibration/振动 : 15g[10Hz~2000Hz]

Shock Resistance/冲击 : 100g[6ms]

Endurance (Shell)/机械寿命 : 5000+

Cable/配接电缆: ϕ 2.4mm- ϕ 3.3mm

2. 电气性能

Insert Configuration/针芯配置:OBP.304 4Low Voltage

Pin Size/接触件直径: ϕ 0.7mm

Contact resistance接触电阻: \leq 12.5m Ω

Insulation resistance/绝缘电阻:5000M Ω (测试电压500V(DC))

Withstand voltage/耐电压:850V(AC)

Rated working current额定工作电流:7.0A

Other Specification/其它规格:

Contact PIN/接触体 : Gold plated Tin bronze/锡青铜镀金

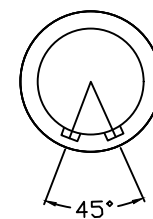
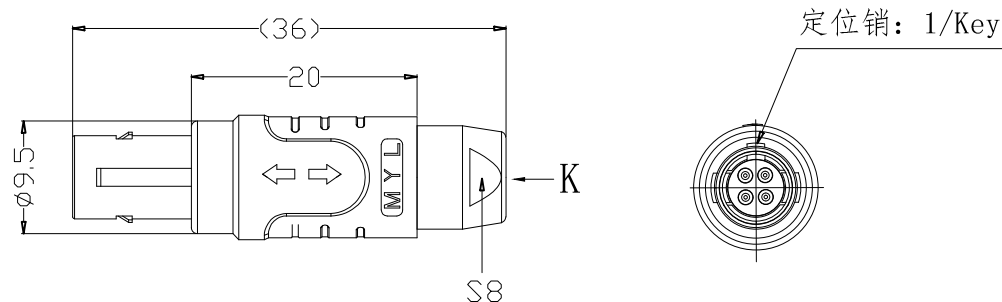
Housing Material/外壳材质 : PEEK

Other Shell Material/其它壳体材质: 铜镀镍

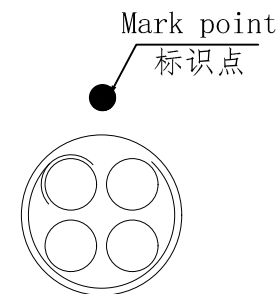
Insulator material/绝缘体材料: PPS

IP Rating/防护等级 : IP50


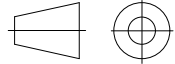
*ALL MATERIALS ARE RoHS COMPLIANT/所有材料均符合RoHS要求.



Plug front view
插头前视图



view K
K向孔位排列

DRAWN BY: 绘图:Z01 2024.6.12 CHECKED BY: 审核:Z01 2024.6.12 APPROVED BY: 核准:PD05 2024.6.12		 美易连 美易连电子科技(深圳)有限公司 Meiyilian electronic technology(shenzhen)Co.Ltd.	
GENERAL TOLERANCE (UNLESS SPECIFIED) $\leq 10 \pm 0.1$ $< 10 \sim 20 \pm 0.15$ $< 20 \sim 50 \pm 0.3$ Angle $\pm 1^\circ$		 FIRST ANGLE PROJECTION	单位 UNT: mm 名称 PART NAME 比例 SCALE: 1: 1 型号 PART NAME SIZE: A4 SHEET: 1 OF 1
		REV/版本	A1
		TG-OBP直式插头 (不带护套式尾冒)	
		TGJ.OBP.304.KWLAD35	