

## 1. Product main performance/产品主要性能指标:

Operating Temperature/工作温度 :  $-55^{\circ}\text{C} \sim 150^{\circ}\text{C}$   
 Humidity(max)/最大潮湿 :  $\leq 95\%$  [at 60 deg C / 140 F]  
 Shielding /屏蔽性能 : 75dB(10MHz) 40dB(1GHz)  
 Salt Spray Corrosion/盐雾 : 96hr

### Mechanical data/机械特性:

Vibration/振动 : 15g[10Hz~2000Hz]  
 Shock Resistance/冲击 : 100g[6ms]  
 Endurance (Shell)/机械寿命 : 5000+

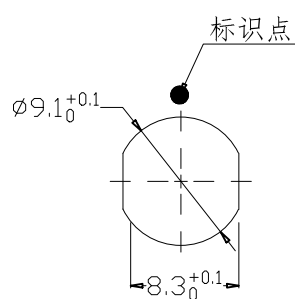
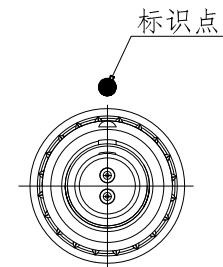
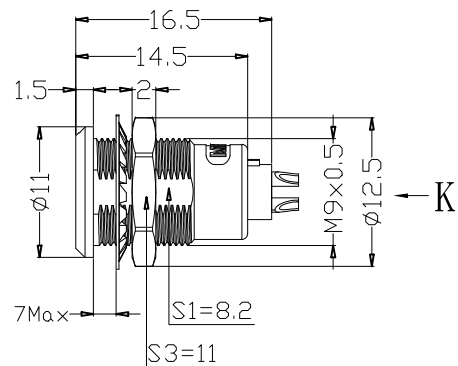
## 2. 电气性能

Insert Configuration/针芯配置: 0BP.302 2Low Voltage  
 Pin Size/接触件直径:  $\phi 0.9\text{mm}$   
 Contact resistance接触电阻:  $\leq 9\text{m}\Omega$   
 Insulation resistance/绝缘电阻:  $5000\text{M}\Omega$  (测试电压500V(DC))  
 Withstand voltage/耐电压: 1300V(AC)  
 Rated working current额定工作电流: 10.0A

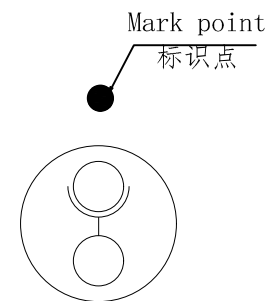
### Other Specification/其它规格:

Contact PIN/接触体 : Gold plated Tin bronze/锡青铜镀金  
 Housing Material/外壳材质 : PEEK  
 Other Shell Material/其它壳体材质: 铜镀镍  
 Insulator material/绝缘体材料: PPS  
 IP Rating/防护等级 : IP50

\*ALL MATERIALS ARE RoHS COMPLIANT/所有材料均符合RoHS要求.



Panel cut-outs  
建议安装开孔尺寸



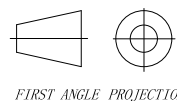
view K  
K向孔位排列

DRAWN BY:  
绘图: Z01 2024. 6. 14  
CHECKED BY:  
审核: Z01 2024. 6. 14  
APPROVED BY:  
核准: PD05 2024. 6. 14



美易连电子科技(深圳)有限公司  
Meiyilian electronic technology(shenzhen)Co.Ltd.

GENERAL TOLERANCE  
(UNLESS SPECIFIED)  
 $\leq 10 \pm 0.1$   
 $< 10 \sim 20 \pm 0.15$   
 $< 20 \sim 50 \pm 0.3$   
Angle  $\pm 1^{\circ}$



单位  
UNT: mm  
比例  
SCALE: 1: 1  
SIZE: A4  
SHEET: 1 OF 1

名称  
PART NAME  
型号  
PART NAME

ZGG-OBP固定式插座  
ZGG.0BP.302.KWLL

REV/版本 A1