

1) Product main performance/产品主要性能指标:

Operating Temperature/工作温度: -55°C~150°C
 Humidity(max)/最大潮湿: <=95% [at 60 deg C / 140 F]
 Shielding /屏蔽性能: 75dB(10MHz) 40dB(1GHz)
 Salt Spray Corrosion/盐雾: 96hr

Mechanical data/机械特性:

Vibration/振动: 15g[10Hz~2000Hz]
 Shock Resistance/冲击: 100g[6ms]
 Endurance (Shell)/机械寿命: 5000+

2. 电气性能

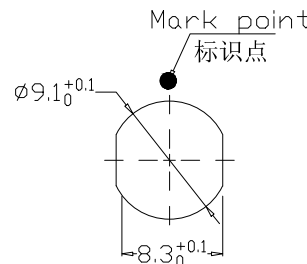
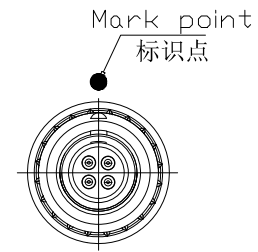
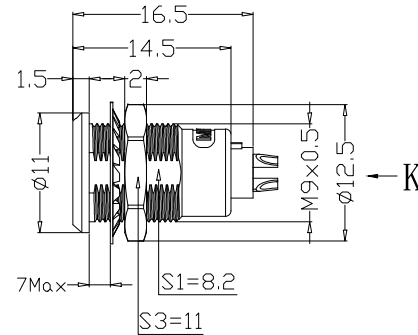
Insert Configuration/针芯配置: 0BP.304 4Low Voltage
 Pin Size/接触件直径: $\phi 0.7$ mm
 Contact resistance接触电阻: ≤ 12.5 m Ω
 Insulation resistance/绝缘电阻: 5000M Ω (测试电压500V(DC))
 Withstand voltage/耐电压: 850V(AC)
 Rated working current额定工作电流: 7.0A

Other Specification/其它规格:

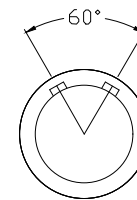
Contact PIN/接触体: Gold plated Tin bronze/锡青铜镀金
 Housing Material/外壳材质: PEEK
 Other Shell Material/其它壳体材质: 铜镀镍
 Insulator material/绝缘体材料: PEEK
 IP Rating/防护等级: IP50

*ALL MATERIALS ARE RoHS COMPLIANT/所有材料均符合RoHS要求.

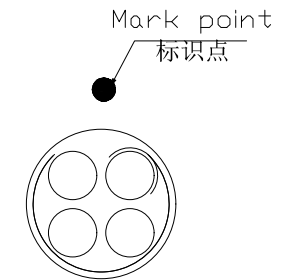
| REV/版本 | DESCRIPTION/变更内容 | DATE/日期 | DRAWN BY/绘图 |
|--------|------------------|---------|-------------|
| | | | |



Panel cut-outs
建议安装开孔尺寸



Socket front view
插座前视图



view K
K向孔位排列

| | |
|---|--------------|
| DRAWN BY: 绘图: PD03 | 2024. 05. 28 |
| CHECKED BY: 审核: Z01 | 2024. 05. 28 |
| APPROVED BY: 核准: PD05 | 2024. 05. 28 |
| GENERAL TOLERANCE (UNLESS SPECIFIED) | |
| $\leq 10 \pm 0.1$ | |
| $< 10 \sim \leq 20 \pm 0.15$ | |
| $< 20 \sim \leq 50 \pm 0.3$ | |
| Angle $\pm 1^\circ$ | |

| | | |
|--------------|--|---|
| | 美易连电子科技(深圳)有限公司 Meiyilian electronic technology(shenzhen)Co.,Ltd. | |
| | 单位 UNIT: mm 比例 SCALE: 1: 1 第一角投影 FIRST ANGLE PROJECTION | 名称 PART NAME ZGB-0BP固定式插座 ZGB-0BP Fixed socket |
| REV/版本 A1 | 型号 PART NAME ZGB. 0BP. 304. KWKL | SHEET: 1 OF 1 |