

1) Product main performance/产品主要性能指标:

Operating Temperature/工作温度 : -55°C~150°C  
 Humidity(max)/最大潮湿 : <=95% [at 60 deg C / 140 F]  
 Shielding /屏蔽性能 : 75dB(10MHz) 40dB(1GHz)  
 Salt Spray Corrosion/盐雾 : 96hr

Mechanical data/机械特性:

Vibration/振动 : 15g[10Hz~2000Hz]  
 Shock Resistance/冲击 : 100g[6ms]  
 Endurance (Shell)/机械寿命 : 5000+

2. 电气性能

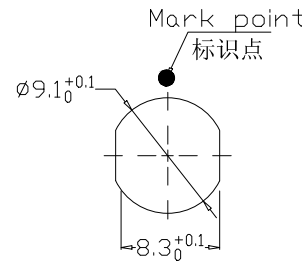
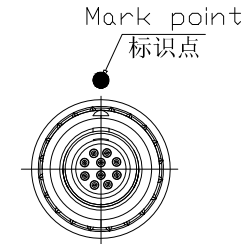
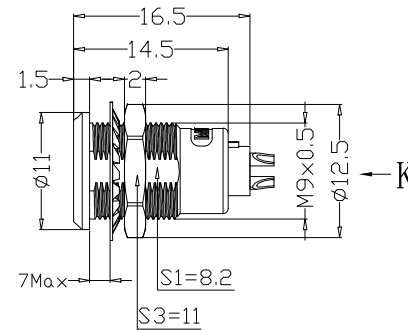
Insert Configuration/针芯配置:0BP.310 10Low Voltage  
 Pin Size/接触件直径:φ0.5mm  
 Contact resistance接触电阻:≤15mΩ  
 Insulation resistance/绝缘电阻:5000MΩ (测试电压500V (DC))  
 Withstand voltage/耐电压:600V (AC)  
 Rated working current额定工作电流:2.0A

Other Specification/其它规格:

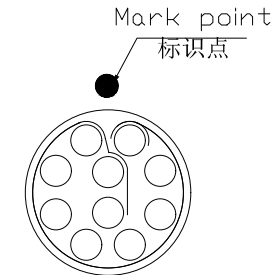
Contact PIN/接触体 : Gold plated Tin bronze/锡青铜镀金  
 Housing Material/外壳材质 : PEEK  
 Other Shell Material/其它壳体材质: 铜镀镍  
 Insulator material/绝缘体材料: PEEK  
 IP Rating/防护等级 : IP50

\*ALL MATERIALS ARE RoHS COMPLIANT/所有材料均符合RoHS要求.


REV/版本	DESCRIPTION/变更内容	DATE/日期	DRAWN BY/绘图



Panel cut-outs  
建议安装开孔尺寸



view K  
K向孔位排列

DRAWN BY: 绘图: PD03 2024.05.28 CHECKED BY: 审核: Z01 2024.05.28 APPROVED BY: 核准: PD05 2024.05.28		 美易连电子科技(深圳)有限公司 Meiyilian electronic technology(shenzhen) Co., Ltd.	
GENERAL TOLERANCE (UNLESS SPECIFIED) ≤10 ±0.1 <10~≤20 ±0.15 <20~≤50 ±0.3 Angle ±1°		单位 UNIT: mm 比例 SCALE: 1:1 型号 PART NAME ZGG-OBP固定式插座 ZGG-OBP Fixed socket	名称 PART NAME ZGG-OBP固定式插座 ZGG-OBP Fixed socket
FIRST ANGLE PROJECTION	REV/版本 A1	SIZE: A4 SHEET: 1 OF 1	型号 PART NAME ZGG.0BP.310.KWKL