

1) Product main performance/产品主要性能指标:

Operating Temperature/工作温度 : -55°C~150°C

A Humidity(max)/最大潮湿 : <=95% [at 60 deg C / 140 F]

Shielding /屏蔽性能 : 75dB(10MHz) 40dB(1GHz)

Salt Spray Corrosion/盐雾 : 96hr

Mechanical data/机械特性:

Vibration/振动 : 15g[10Hz~2000Hz]

Shock Resistance/冲击 : 100g[6ms]

Endurance (Shell)/机械寿命 : 5000+

B 2. 电气性能

Insert Configuration/针芯配置:0BP.304 4Low Voltage

Pin Size/接触件直径:φ0.7mm

Contact resistance接触电阻:≤12.5mΩ

Insulation resistance/绝缘电阻:5000MΩ (测试电压500V(DC))

Withstand voltage/耐电压:850V(AC)

Rated working current额定工作电流:7.0A

Other Specification/其它规格:

C Contact PIN/接触体 : Gold plated Tin bronze/锡青铜镀金

Housing Material/外壳材质 : PEEK

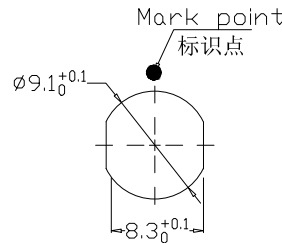
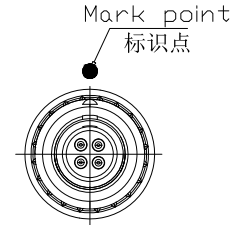
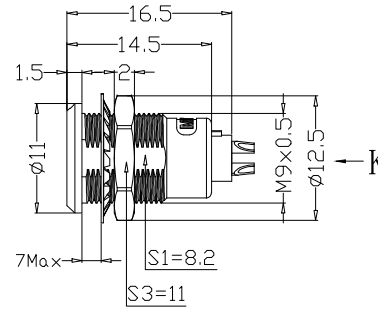
Other Shell Material/其它壳体材质: 铜镀镍

Insulator material/绝缘体材料: PEEK

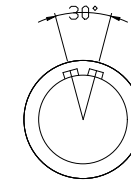
IP Rating/防护等级 : IP50

*ALL MATERIALS ARE RoHS COMPLIANT/所有材料均符合RoHS要求.

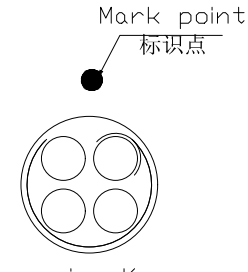
REV/版本	DESCRIPTION/变更内容	DATE/日期	DRAWN BY/绘图



Panel cut-outs
建议安装开孔尺寸



Socket front view
插座前视图



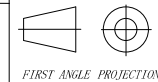
view K
K向孔位排列

DRAWN BY:
绘图:PDO3 2024.05.28
CHECKED BY:
审核:Z01 2024.05.28
APPROVED BY:
核准:PDO5 2024.05.28



美易连电子科技(深圳)有限公司
Meiyilian electronic technology(shenzhen)Co.,Ltd.

GENERAL TOLERANCE
(UNLESS SPECIFIED)
≤10 ±0.1
<10~≤20 ±0.15
<20~≤50 ±0.3
Angle ±1°



FIRST ANGLE PROJECTION

单位
UNIT: mm
比例
SCALE: 1:1
SIZE: A4
SHEET: 1 OF 1

名称
PART NAME
型号
PART NAME

ZGA-OBP固定式插座
ZGA-OBP Fixed socket
ZGA.OBP.304.KWKL