

1) Product main performance/产品主要性能指标:

Operating Temperature/工作温度 : -55℃~150℃

A Humidity(max)/最大潮湿 : <=95% [at 60 deg C / 140 F]

Shielding /屏蔽性能 : 75dB(10MHz) 40dB(1GHz)

Salt Spray Corrosion/盐雾 : 96hr

Mechanical data/机械特性:

Vibration/振动 : 15g[10Hz~2000Hz]

Shock Resistance/冲击 : 100g[6ms]

Endurance (Shell)/机械寿命 : 5000+

2. 电气性能

Insert Configuration/针芯配置:0BP.302 2Low Voltage

Pin Size/接触件直径:φ0.9mm

Contact resistance接触电阻:≤9mΩ

Insulation resistance/绝缘电阻:5000MΩ (测试电压500V(DC))

Withstand voltage/耐电压:1300V(AC)

Rated working current额定工作电流:10.0A

Other Specification/其它规格:

C Contact PIN/接触体 : Gold plated Tin bronze/锡青铜镀金

Housing Material/外壳材质 : PEEK

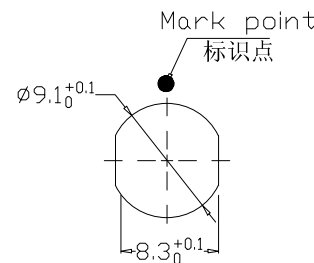
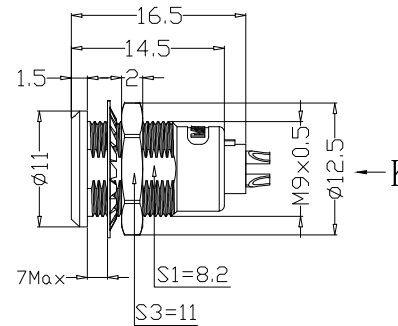
Other Shell Material/其它壳体材质: 铜镀镍

Insulator material/绝缘体材料: PEEK

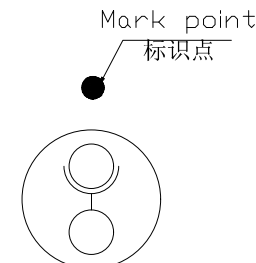
IP Rating/防护等级 : IP50

\*ALL MATERIALS ARE RoHS COMPLIANT/所有材料均符合RoHS要求.


REV/版本	DESCRIPTION/变更内容	DATE/日期	DRAWN BY/绘图



Panel cut-outs  
建议安装开孔尺寸



view K  
K向孔位排列

DRAWN BY: 绘图: PD03 2024. 05. 28 CHECKED BY: 审核: Z01 2024. 05. 28 APPROVED BY: 核准: PD05 2024. 05. 28		 美易连电子科技(深圳)有限公司 Meiyilian electronic technology(shenzhen)Co.,Ltd.	
GENERAL TOLERANCE (UNLESS SPECIFIED) ≤10 ±0.1 <10~≤20 ±0.15 <20~≤50 ±0.3 Angle ±1°		单位 UNIT: mm 比例 SCALE: 1: 1 名称 PART NAME ZGG-OBP固定式插座 ZGG-OBP Fixed socket	型号 PART NAME ZGG. OBP. 302. KWKL
FIRST ANGLE PROJECTION	REV/版本 A1	SIZE: A4 SHEET: 1 OF 1	SHEET: 1 OF 1