

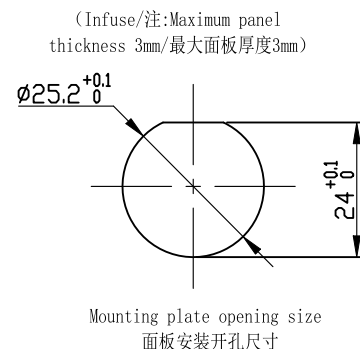
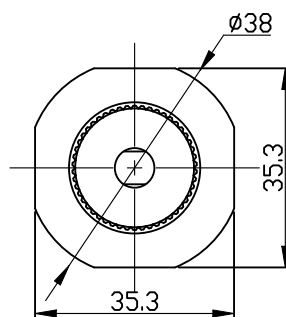
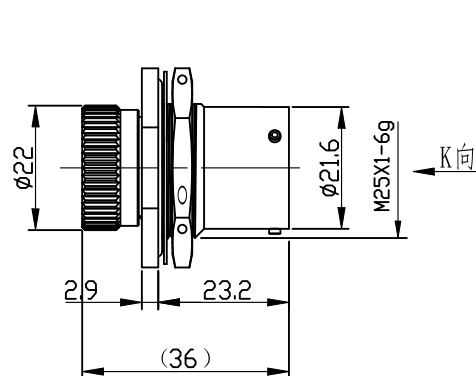
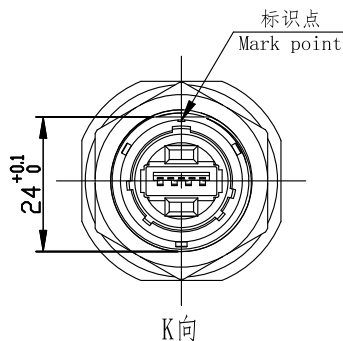
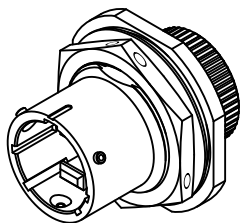
1) Product main performance/产品主要性能指标:
 Operating Temperature/工作温度: $-55^{\circ}\text{C}\sim 125^{\circ}\text{C}$
 Relative humidity/相对湿度: $90\%\sim 95\%$ ($40\pm 2^{\circ}\text{C}$)
 Working voltage/工作电压: 30V
 Working current/工作电流: 1A
 Insulation resistance/绝缘电阻: $5000\text{M}\Omega$
 Withstand voltage/耐电压: 500V
 Contact resistance/接触电阻: $\leq 30\text{m}\Omega$
 Data transmission performance/数据传输性能:
 USB3.0: 5Gbps (500MB/s)
 Cable/配接电缆: $\Phi 6.0\text{mm}-\Phi 7.0\text{mm}$

2) Mechanical data/机械特性:

Vibration/振动: $10\sim 2000\text{Hz } 147\text{m/s}^2$
 Shock Resistance/冲击: 490m/s^2
 Salt Spray Corrosion/盐雾: 96hr
 Endurance (Shell)/机械寿命: 500

3) Other Specification/其它规格:

Contact PIN/接触件: Tin bronze plating/锡青铜镀金
 Housing Material/外壳材质: Aluminum alloy electroless plating bright nickel /铝合金镀化学光亮镍
 Other metal spare parts/其余金属件: Aluminum alloy nickel plating/铝合金镀镍
 Card pin material/卡销材质: SUS316 /不锈钢316
 Sealing ring material/密封圈材质: Red silicone rubber/红色硅橡胶
 IP Rating/防护等级: IP68 (Interpolation state/插合状态)
 *ALL MATERIALS ARE RoHS COMPLIANT/所有材料均符合RoHS要求



REV/版本	DESCRIPTION/变更内容	DATE/日期	DRAWN BY/绘图

TOLERANCES UNLESS OTHERWISE SPECIFIED: 未标注尺寸公差: .x ± 0.5 x.' ± 1.0 .xx ± 0.2 .x' ± 0.5		THIRD ANGLE PROJECTION 	Product name/产品名称 插座/Socket (USB3.0)	
SIZE: A4 SCALE: 1: 1		UNITS: mm SHEET: 1 OF 1	QM NO 料号 YW123F03S	REV/ 版本 A1
DRAWN BY: 绘图: PD03		DATE/日期 2022. 08. 19	DRAWING NO 图号	CUSTOMER NO 客户料号
CHECKED BY: 审核: PD02		DATE/日期 2022. 08. 19	 QM (Quanna) Connector Shenzhen Co. LTD 深圳市全马连接器有限公司	
APPROVED BY: 核准: PD02		DATE/日期 2022. 08. 19	深圳市全马连接器有限公司	