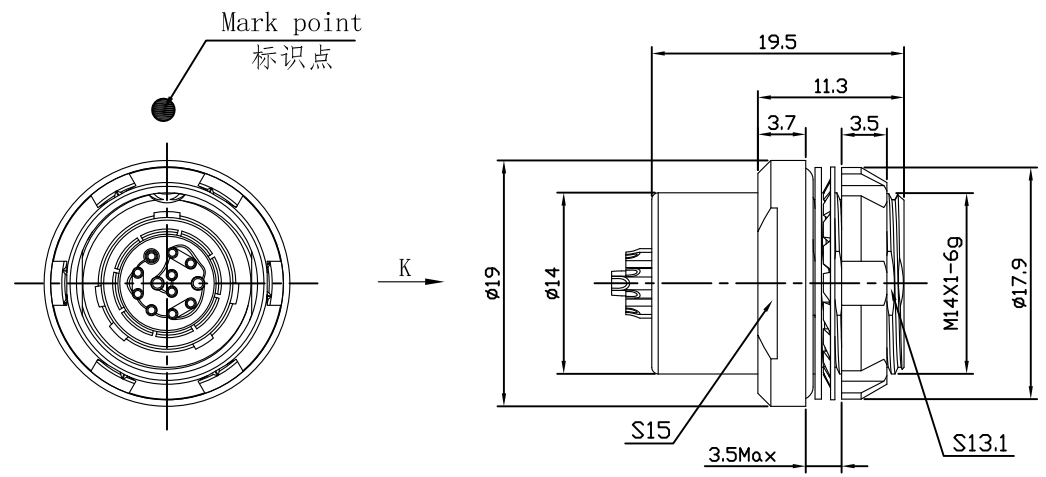


REV/版本	DESCRIPTION/变更内容	DATE/日期	DRAWN BY/绘图

1) Product main performance/产品主要性能指标:

- Operating Temperature/工作温度: -55℃~200℃
- Humidity(max)/最大潮湿: <=95% [at 60 deg C / 140 F]
- Shielding /屏蔽性能: 55dB(1GHz)
- Salt Spray Corrosion/盐雾: 96hr
- P op (max)/最大环境压力: 60 bar (870 psi)
- Insert Configuration/针芯配置: 12芯 接点代码: 052
- Pin Size/接触件直径:  $\phi 0.5\text{mm} + \phi 0.7\text{mm}$
- R (Max)/接触电阻:  $\leq 15\text{m}\Omega (\phi 0.5)$ 、 $\leq 12.5\text{m}\Omega (\phi 0.7)$
- Differential transmission rate/差分传输速率: 5Gbps
- Insulation resistance/绝缘电阻: 5000M $\Omega$
- Withstand voltage/耐电压: 875V
- Rated Current/额定电流: 1.8A( $\phi 0.5$ )、3.8A( $\phi 0.7$ )

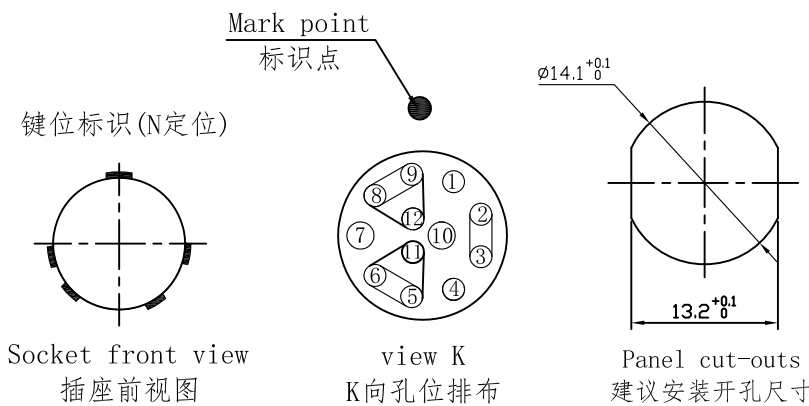


2) Mechanical data/机械特性:

- Vibration/振动: 1.0G<sup>2</sup>/Hz, 均方根值36.6G,  $\leq 1\mu\text{s}$ 瞬断
- Shock Resistance/冲击: 加速度2940m/s<sup>2</sup>,  $\leq 1\mu\text{s}$ 瞬断
- Endurance (Shell)/机械寿命: 5000+

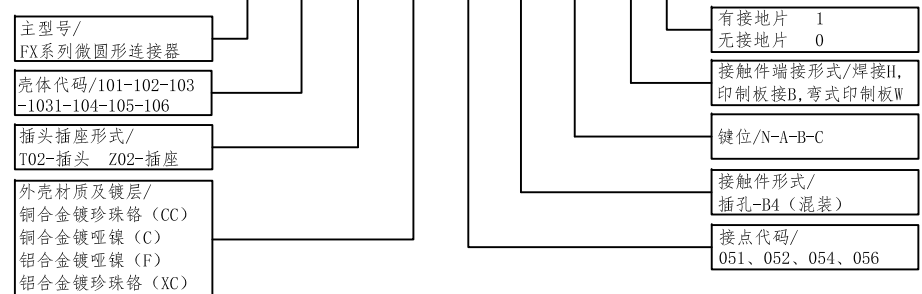
3) Other Specification/其它规格:

- Contact PIN/接触件: Gold plated Tin bronze/锡青铜镀金
- Housing Material/外壳材质: Chrome plated brass/铜镀珍珠铬
- Other metal spare parts/其余金属件: Nickel plated brass/铜镀镍
- Insulator material/绝缘材料: PEEK
- IP Rating/防护等级: IP68(2m水深24h) 插合状态
- \*ALL MATERIALS ARE RoHS COMPLIANT/所有材料均符合RoHS要求



孔位	信号定义
1	VBUS
4	GND
2	DATA+
3	DATA-
5	SSTX+
11	GND DRAIN
6	SSTX-
8	SSRX+
12	GND DRAIN
9	SSRX-
7	POWR
10	GND

型号命名 → FX·1031·Z02·CC·052·B4·N-H 1



TOLERANCES UNLESS OTHERWISE SPECIFIED: 未标注尺寸公差: $\pm 0.1$ 未标注角度公差: $\pm 0.5^\circ$	FIRST ANGLE PROJECTION	Product name/产品名称 <b>FX1031 Socket</b> <b>FX1031固定式插座</b>	
	SIZE: A4	UNITS: mm	QM NO 料号 FX1031Z02CC052B4N-H1
SCALE: 1: 1	SHEET: 1 OF 1	DRAWING NO 图号	REV/ 版本
DRAWN BY: 绘图: PD04	DATE/日期: 2022-04-22	CUSTOMER NO 客户料号	A1
CHECKED BY: 审核: PD02	DATE/日期: 2022-04-22	 QM(Quanma) Connector Shenzhen Co. LTD 深圳市全马连接器有限公司	
APPROVED BY: 核准: PD02	DATE/日期: 2022-04-22		