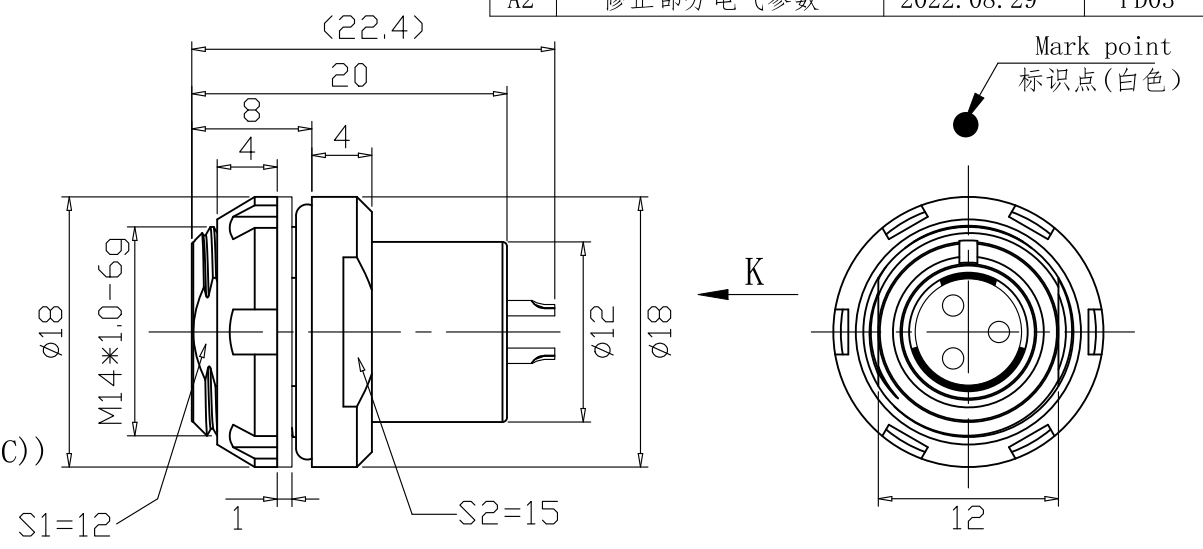


REV/版本	DESCRIPTION/变更内容	DATE/日期	DRAWN BY/绘图
A2	修正部分电气参数	2022.08.29	PD03

1) Product main performance/产品主要性能指标:

Operating Temperature/工作温度: -55°C~125°C
Humidity(max)/最大潮湿: <=95% [at 60 deg C / 140 F]
Shielding /屏蔽性能: 75dB(10MHz) 40dB(1GHz)
Salt Spray Corrosion/盐雾: 96hr
P op (max)/最大环境压力: 60 bar (870 psi)
Insert Configuration/针芯配置: 1F.303 3Low Voltage
Pin Size/接触件直径: Φ1.3mm
R (Max)/接触电阻: ≤5mΩ
Insulation resistance/绝缘电阻: 5000MΩ (测试电压500V(DC))
Withstand voltage/耐电压: 1500V(AC)
Rated Current/额定电流: 10A



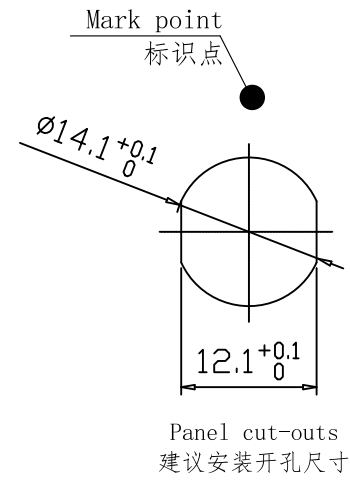
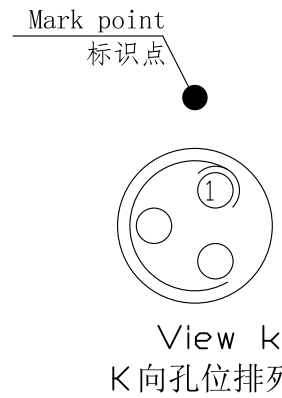
2) Mechanical data/机械特性:


Vibration/振动: 10Hz~2000Hz, 加速度147m/s², 瞬断≤1 us
Shock Resistance/冲击: 980m/s², 瞬断≤1 us
Endurance (Shell)/机械寿命: 5000

3) Other Specification/其它规格:

Contact PIN/接触件: Gold-Tin bronze plating/锡青铜镀金
Housing Material/外壳材质: Brass plated with black chrome/黄铜镀黑铬
Other metal spare parts/其余金属件: nickel plated brass/黄铜镀镍
Sealing ring material/密封圈: 硅橡胶
Insulator material/绝缘材料: PPS
IP Rating/防护等级: IP68(插合状态)

*ALL MATERIALS ARE RoHS COMPLIANT/所有材料均符合RoHS要求



TOLERANCES UNLESS OTHERWISE SPECIFIED: 未标注尺寸公差: ±0.1 未标注角度公差: ±0.5°	First ANGLE PROJECTION	Product name/产品名称 插座/Socket
	SIZE: A4 UNITS: mm SCALE: 1: 1 SHEET: 1 OF 1	
DRAWN BY: 绘图: Pd03	DATE/日期: 2022-08-29	QM NO 料号: JX-AC-3JZ
CHECKED BY: 审核: Pd04	DATE/日期: 2022-08-29	DRAWING NO 图号
APPROVED BY: 核准: Pd02	DATE/日期: 2022-08-29	CUSTOMER NO 客户料号
		 QM(Quanna) Connector Shenzhen Co. LTD 深圳市全马连接器有限公司