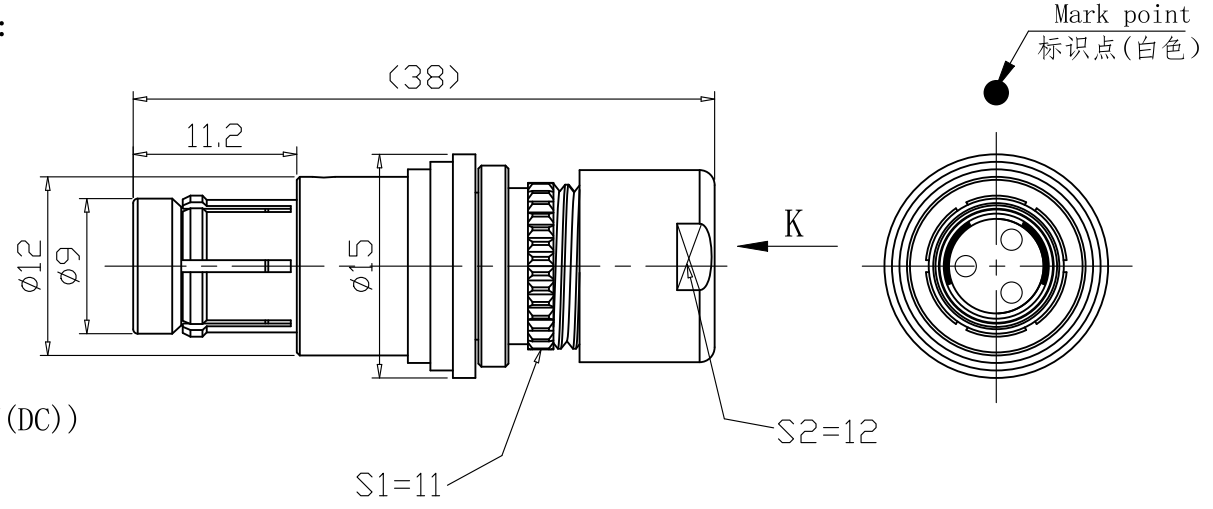


| REV/版本 | DESCRIPTION/变更内容 | DATE/日期 | DRAWN BY/绘图 |
|--------|------------------|------------|-------------|
| A2 | 修正部分电气参数 | 2022.08.29 | PD03 |

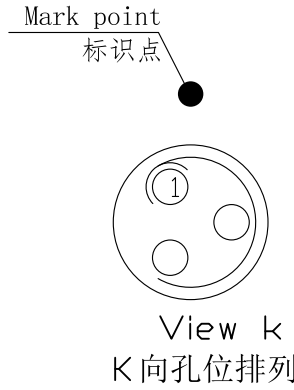
1) Product main performance/产品主要性能指标:

Operating Temperature/工作温度: -55°C~200°C
Humidity(max)/最大潮湿: <=95% [at 60 deg C / 140 F]
Shielding /屏蔽性能: 75dB(10MHz) 40dB(1GHz)
Salt Spray Corrosion/盐雾: 96hr
P op (max)/最大环境压力: 60 bar (870 psi)
Insert Configuration/针芯配置: 1F.303 3Low Voltage
Pin Size/接触件直径: Φ1.3mm
R (Max)/接触电阻: ≤5mΩ
Insulation resistance/绝缘电阻: 5000MΩ (测试电压500V(DC))
Withstand voltage/耐电压: 1500V(AC)
Rated Current/额定电流: 10A



2) Mechanical data/机械特性:

Vibration/振动: 10Hz~2000Hz, 加速度147m/s², 瞬断≤1 us
Shock Resistance/冲击: 980m/s², 瞬断≤1 us
Endurance (Shell)/机械寿命: 5000



3) Other Specification/其它规格:

Contact PIN/接触件: Gold-Tin bronze plating/锡青铜镀金
Housing Material/外壳材质: Brass plated with black chrome/黄铜镀黑铬
Other metal spare parts/其余金属件: nickel plated brass/黄铜镀镍
Sealing ring material/密封圈: 硅橡胶
Insulator material/绝缘材料: PPS
IP Rating/防护等级: IP68(尾部密封防护处理)

*ALL MATERIALS ARE RoHS COMPLIANT/所有材料均符合RoHS要求

| | | |
|---|---|---|
| TOLERANCES UNLESS OTHERWISE SPECIFIED: 未标注尺寸公差: ±0.1 未标注角度公差: ±0.5° | First ANGLE PROJECTION | Product name/产品名称 插头/Plug |
| | SIZE: A4 UNITS: mm SCALE: 1: 1 SHEET: 1 OF 1 | |
| DRAWN BY: 绘图: Pd03 | DATE/日期: 2022-08-29 | QM NO 料号: JX-AC-3KT |
| CHECKED BY: 审核: Pd04 | DATE/日期: 2022-08-29 | DRAWING NO 图号 |
| APPROVED BY: 核准: Pd02 | DATE/日期: 2022-08-29 | CUSTOMER NO 客户料号 |
| | | QM(Quanma) Connector Shenzhen Co. LTD 深圳市全马连接器有限公司 |