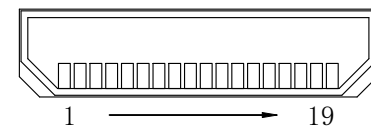
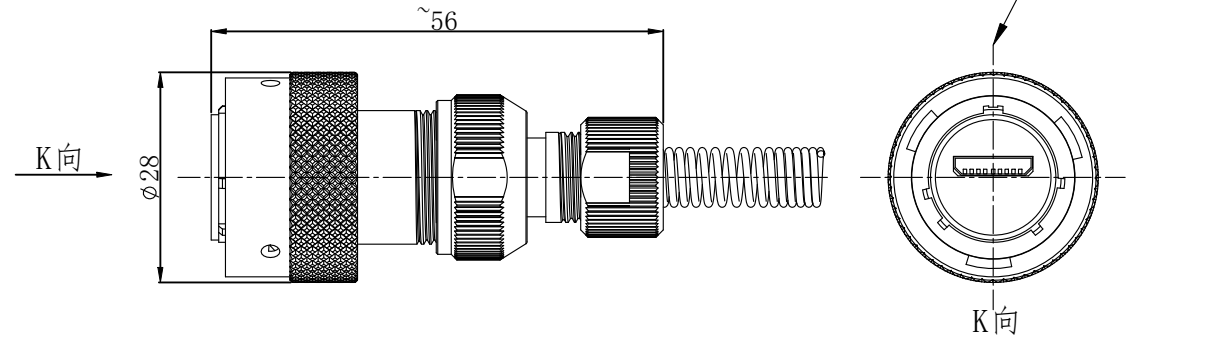


1) Product main performance/产品主要性能指标:  
 Operating Temperature/工作温度: -55°C~125°C  
 Relative humidity/相对湿度: 90%~95% (40±2° C)  
 Working voltage/工作电压: 5V  
 Working current/工作电流: 50mA  
 Insulation resistance/绝缘电阻: 5000MΩ  
 Data transmission performance/数据传输性能: Mini HDMI: 4.5GB/s  
 Cable/配接电缆: φ9.0mm-φ10.0mm

2) Mechanical data/机械特性:  
 Connection type/连接方式: Bayonet connection/卡口连接  
 Vibration/振动: 10~2000Hz 147m/s<sup>2</sup>  
 Shock Resistance/冲击: 490m/s<sup>2</sup>  
 Salt Spray Corrosion/盐雾: 96hr  
 Endurance (Shell)/机械寿命: 500

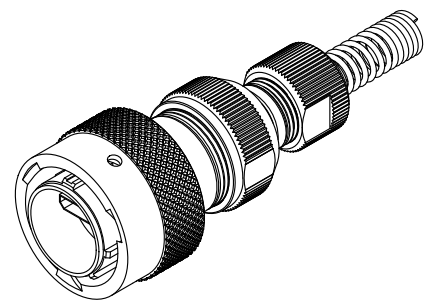
3) Other Specification/其它规格:  
 Housing Material/外壳材质: SUS316  
 Other metal spare parts/其余金属件: Aluminum alloy nickel plating/铝合金镀镍  
 Spring material/弹簧材质: SUS316 /不锈钢316  
 Sealing ring material/密封圈材质: Red silicone rubber/红色硅橡胶  
 IP Rating/防护等级: IP68(Interpolation state/插合状态)  
 \*ALL MATERIALS ARE RoHS COMPLIANT/所有材料均符合RoHS要求

REV/版本	DESCRIPTION/变更内容	DATE/日期	DRAWN BY/绘图
A2	内部材质沿用旧物料 (铝合金)	2024. 01. 29	PD03



View k  
K向孔位排列

HDMI Pin definition/HDMI引脚定义	
1	TMDS Data 2 Shield
2	TMDS Data 2+
3	TMDS Data 2-
4	TMDS Data1 Shield
5	TMDS Data +
6	TMDS Data -
7	TMDS Data 0 Shield
8	TMDS Data 0+
9	TMDS Data 0-
10	TMDS Clock Shield
11	TMDS Clack +
12	TMDS Clack -
13	DDC/CEC Ground
14	CEC
15	SCL
16	SDA
17	Reserved (N.C)
18	+5V Power
19	Hot plug Detect



TOLERANCES UNLESS OTHERWISE SPECIFIED: 未标注尺寸公差: .x ±0.5 x.* ±1.0* .xx ±0.2 .x.* ±0.5*	THIRD ANGLE PROJECTION	Product name/产品名称  插头/Plug HDMI C Type
	SIZE: A4 UNITS: mm SCALE: 1: 1 SHEET: 1 OF 1	
DRAWN BY: 绘图: PD03	DATE/日期 2024. 01. 29	QM NO 料号 YW110E09S-01 (φ10)
CHECKED BY: 审核: PD02	DATE/日期 2024. 01. 29	DRAWING NO 图号 CUSTOMER NO 客户料号
APPROVED BY: 核准: PD02	DATE/日期 2024. 01. 29	REV/ 版本 A2

Product name/产品名称  
插头/Plug HDMI C Type

QIM (Quanma) Connector Shenzhen Co. LTD  
 深圳市全马连接器有限公司