

REV/版本	DESCRIPTION/变更内容	DATE/日期	DRAWN BY/绘图
A1	CREATED DRAWING	2021/03/19	

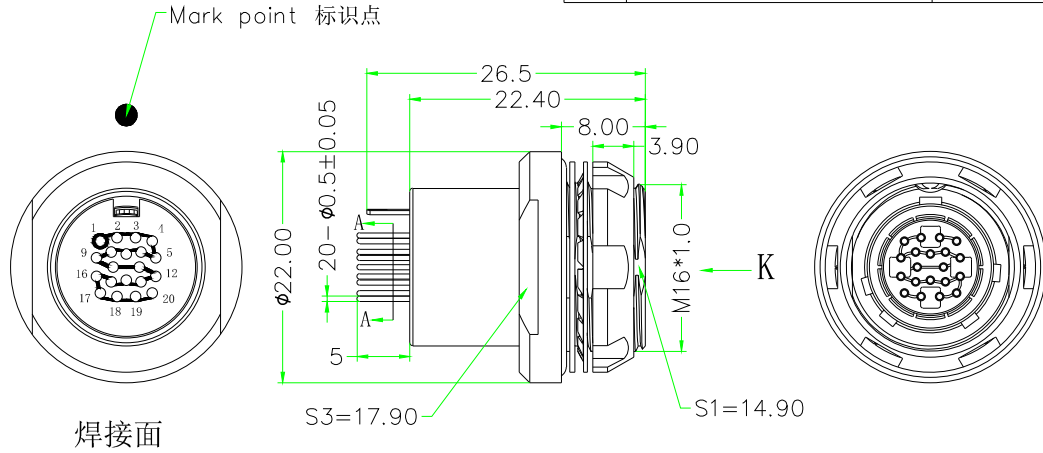
1) Product main performance/产品主要性能指标:

Operating Temperature/工作温度: -55℃~125℃
Humidity(max)/最大潮湿: <=95% [at 60 deg C / 140 F]
Shielding /屏蔽性能: 55dB(1GHz)
Salt Spray Corrosion/盐雾: 96hr
P op (max)/最大环境压力: 60 bar (870 psi)
Insert Configuration/针芯配置: 20芯 代码: 038
Pin Size/接触件直径: $\phi 0.5\text{mm}$
R (Max)/接触电阻: $\leq 15\text{m}\Omega$
Differential transmission rate/差分传输速率: 3.4Gbps
Insulation resistance/绝缘电阻: 5000M Ω
Withstand voltage/耐电压: 750V
Rated Current/额定电流: 1.8A
Cable AWG/配接电缆规格: 0.12mm² 26AWG

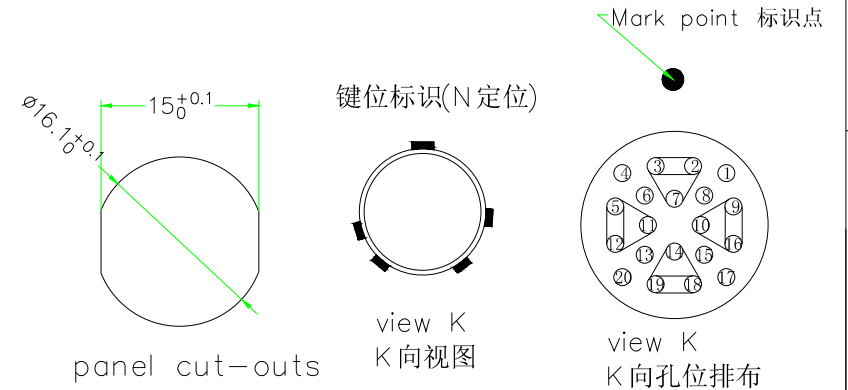
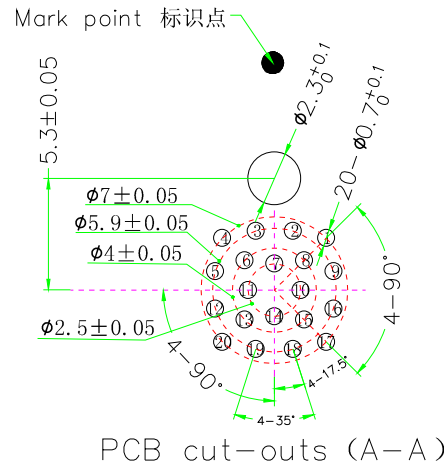
2) Mechanical data/机械特性:
Vibration/振动: 1.0G²/Hz, 均方根值36.6G, $\leq 1\mu\text{s}$ 瞬断
Shock Resistance/冲击: 加速度2940m/s², $\leq 1\mu\text{s}$ 瞬断
Endurance (Shell)/机械寿命: 5000


3) Other Specification/其它规格:

Contact PIN/接触件: gold plated brass黄铜镀金
Housing Material/外壳材质: nickel plated aluminum alloy /铝合金镀镍
nut、screw/螺母、螺丝: Black chrome plated aluminum alloy /铝合金镀黑铬
Other metal spare parts/其余金属件: nickel plated brass/黄铜镀镍
Insulator material/绝缘材料: PEEK
IP Rating/防护等级: IP68
*ALL MATERIALS ARE RoHS COMPLIANT/所有材料均符合RoHS要求



孔位	信号定义	孔位	信号定义
2	DATA1+	1	Signal or Power
7	Shield	8	Signal or Power
3	DATA1-	15	Signal or Power
5	DATA2+	17	Signal or Power
11	Shield	13	Signal or Power
12	DATA2-	20	Signal or Power
18	DATA3+	4	Signal or Power
14	Shield	6	Signal or Power
19	DATA3-		
9	DATA4+		
10	Shield		
16	DATA4-		



TOLERANCES UNLESS OTHERWISE SPECIFIED: 未标注尺寸公差:		THIRD ANGLE PROJECTION		Product name/产品名称	
.x ±0.5	x.* ±1.0	SIZE: A4	UNITS: mm	FX104 socket	
.xx ±0.2	.x.* ±0.5	SCALE: 1: 1	SHEET: 1 OF 1	料号: FX104Z02F038B1N-B1	
DRAWN BY: 绘图: PD05		DATE/日期: 20210310		图号: 客户料号	
CHECKED BY: 审核: PD02		DATE/日期: 20210310		REV/版本: A1	
APPROVED BY: 核准: PD02		DATE/日期: 20210310		 QM (Quanma) Connector Shenzhen Co. LTD 深圳市全马连接器有限公司	