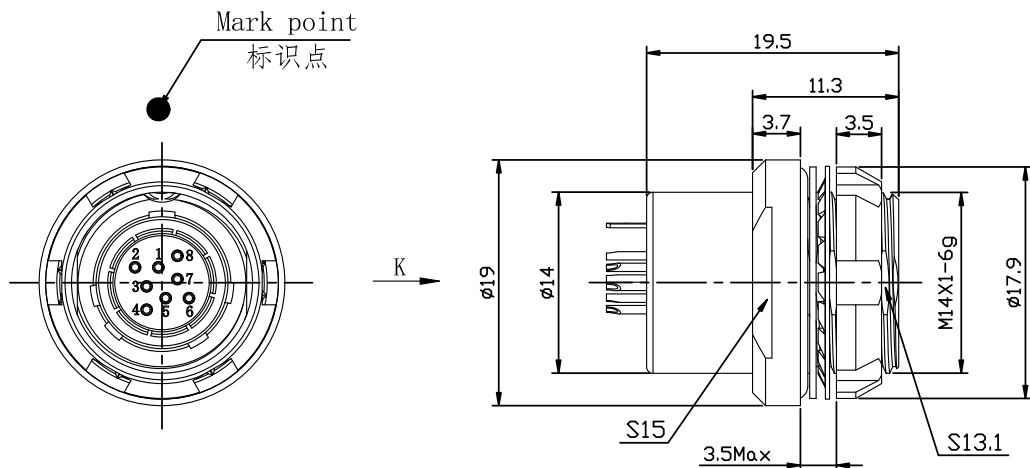


| REV/版本 | DESCRIPTION/变更内容 | DATE/日期 | DRAWN BY/绘图 |
|--------|------------------|---------|-------------|
|        |                  |         |             |

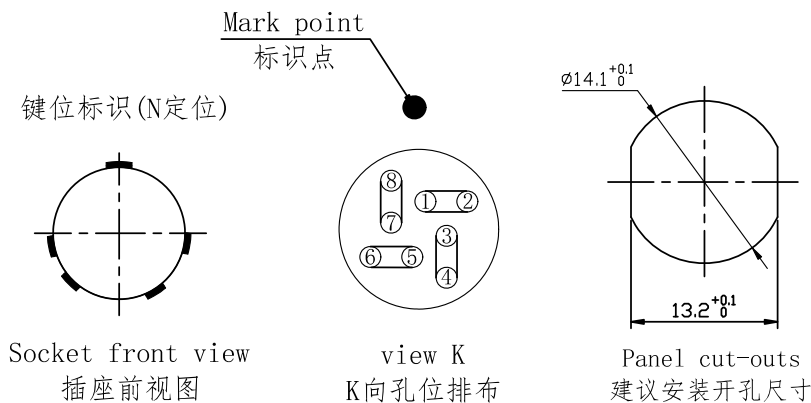
1) Product main performance/产品主要性能指标:  
 Operating Temperature/工作温度: -55℃~200℃  
 Humidity(max)/最大潮湿: <=95% [at 60 deg C / 140 F]  
 Shielding /屏蔽性能: 55dB(1GHz)  
 Salt Spray Corrosion/盐雾: 96hr  
 P op (max)/最大环境压力: 60 bar (870 psi)  
 Insert Configuration/针芯配置: 8芯 接点代码: 056  
 Pin Size/接触件直径:  $\phi 0.5\text{mm}$   
 R (Max)/接触电阻:  $\leq 15\text{m}\Omega$   
 Differential transmission rate/差分传输速率: 250Mbps  
 Insulation resistance/绝缘电阻: 5000M $\Omega$   
 Withstand voltage/耐电压: 750V  
 Rated Current/额定电流: 1.8A



2) Mechanical data/机械特性:  
 Vibration/振动: 1.0G<sup>2</sup>/Hz, 均方根值36.6G,  $\leq 1\mu\text{s}$ 瞬断  
 Shock Resistance/冲击: 加速度2940m/s<sup>2</sup>,  $\leq 1\mu\text{s}$ 瞬断  
 Endurance (Shell)/机械寿命: 5000次

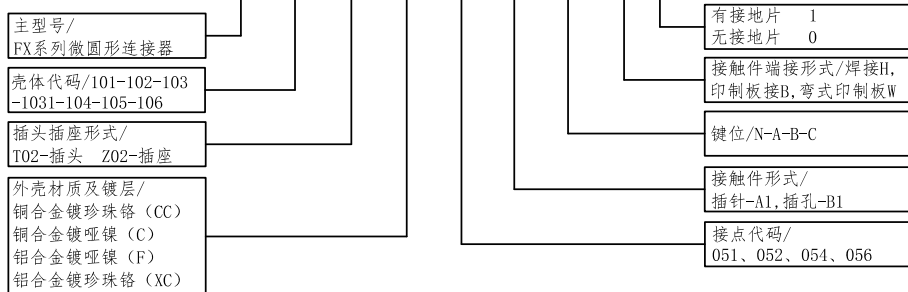
3) Other Specification/其它规格:  
 Contact PIN/接触件: Gold plated Tin bronze/锡青铜镀金  
 Housing Material/外壳材质: Dark nickel plated brass/铜镀哑镍  
 Other metal spare parts/其余金属件: Nickel plated brass/铜镀镍  
 Insulator material/绝缘材料: PEEK  
 IP Rating/防护等级: IP68(2m水深24h) 插合状态

\*ALL MATERIALS ARE RoHS COMPLIANT/所有材料均符合RoHS要求



| 孔位 | 信号定义   |
|----|--------|
| 1  | DATA1+ |
| 2  | DATA1- |
| 3  | DATA2+ |
| 4  | DATA2- |
| 5  | DATA3+ |
| 6  | DATA3- |
| 7  | DATA4+ |
| 8  | DATA4- |

型号命名 → FX·1031·Z02·C·056·B1·N-H 1-158



|  |                         |   |                                      |
|--|-------------------------|---|--------------------------------------|
| TOLERANCES UNLESS OTHERWISE SPECIFIED:<br>未标注尺寸公差: $\pm 0.1$<br>未标注角度公差: $\pm 0.5^\circ$ | FIRST ANGLE PROJECTION  | Product name/产品名称<br>FX1031 Socket<br>FX1031固定式插座         |                                      |
|  | SIZE: A4<br>SCALE: 1: 1 | UNITS: mm<br>SHEET: 1 OF 1                                | Q/M NO<br>料号 FX1031Z02C056B1N-H1-158 |
| DRAWN BY:<br>绘图: PD04  | DATE/日期<br>2022-08-17   | DRAWING NO<br>图号  | REV/<br>版本<br>A1                     |
| CHECKED BY:<br>审核: PD02  | DATE/日期<br>2022-08-17   | CUSTOMER NO<br>客户料号                                       |                                      |
| APPROVED BY:<br>核准: PD02   | DATE/日期<br>2022-08-17   | <br>QM(Quanma) Connector Shenzhen Co. LTD<br>深圳市全马连接器有限公司 |                                      |