

1) Product main performance/产品主要性能指标:

Operating Temperature/工作温度: $-40^{\circ}\text{C}\sim 85^{\circ}\text{C}$
 Relative humidity/相对湿度: $90\%\sim 95\% (40\pm 2^{\circ}\text{C})$
 Insert Configuration/针芯配置: 06 双光纤 (LC单模)
 Wave length/波长: 1310nm&1500nm
 Loss/损耗: $IL\leq 0.35\text{dB}$ (插损) $RL\geq 50\text{dB}$ (回损)
 Cable/光纤电缆内径: $\phi 62.5\mu\text{m}$

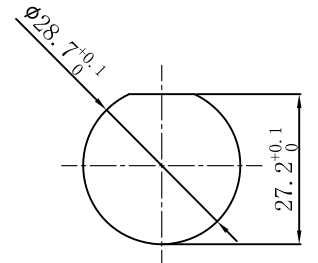
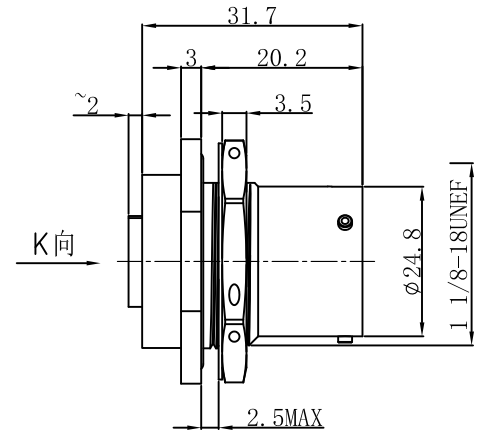
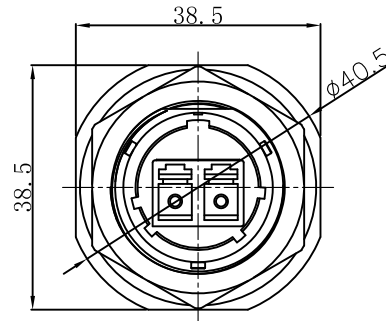
2) Mechanical data/机械特性:

Connection type/连接方式: Bayonet connection/卡口连接
 Vibration/振动: $10\sim 2000\text{Hz } 147\text{m/s}^2$
 Shock Resistance/冲击: 490m/s^2
 Salt Spray Corrosion/盐雾: 96hr
 Endurance (Shell)/机械寿命: 500

3) Other Specification/其它规格:

Solder cup/焊线杯: Tin bronze plating/锡青铜镀金
 Housing Material/外壳材质: Aluminum alloy electroless plating dark nickel/铝合金镀化学哑镍
 Card pin material/卡销材质: SUS316 /不锈钢316
 Insulator material/绝缘材料: PPS
 IP Rating/防护等级: IP68 (Interpolation state/插合状态)
 *ALL MATERIALS ARE RoHS COMPLIANT/所有材料均符合RoHS要求

REV/版本	DESCRIPTION/变更内容	DATE/日期	DRAWN BY/绘图
A2	"暗锁"改成"哑锁"	2024.07.19	Z02



Mounting plate opening size
面板安装开孔尺寸

TOLERANCES UNLESS OTHERWISE SPECIFIED: 未标注尺寸公差: .x ± 0.5 x.* ± 1.0 .xx ± 0.2 .x* ± 0.5	THIRD ANGLE PROJECTION	Product name/产品名称	
		插座/Socket	
SIZE: A4 UNITS: mm SCALE: 1: 1 SHEET: 1 OF 1		QM NO 料号 YW123Fm06S	REV/ 版本 A2
DRAWN BY: 绘图: Z02	DATE/日期 2024.07.19	DRAWING NO 图号	
CHECKED BY: 审核: PD05	DATE/日期 2024.07.19	CUSTOMER NO 客户料号	
APPROVED BY: 核准: PD03	DATE/日期 2024.07.19	 QM(Quanna) Connector Shenzhen Co. LTD 深圳市全马连接器有限公司	