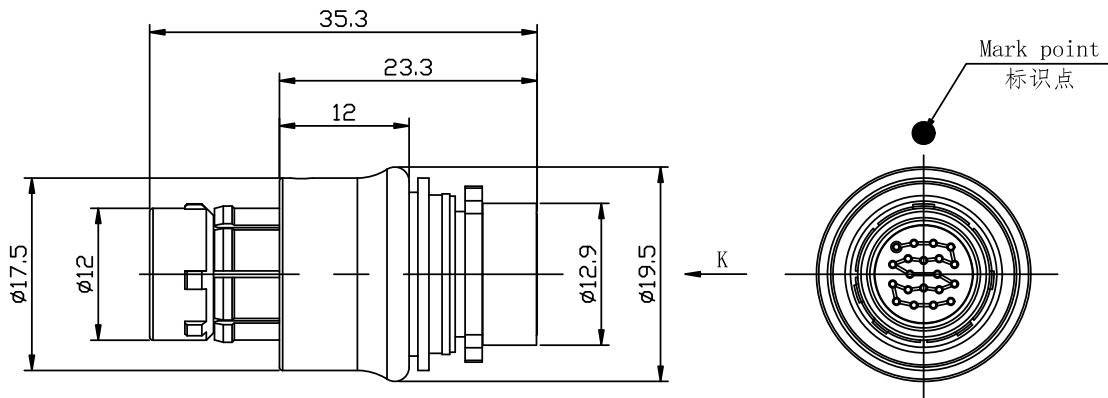


REV/版本	DESCRIPTION/变更内容	DATE/日期	DRAWN BY/绘图

1) Product main performance/产品主要性能指标:

Operating Temperature/工作温度: -55°C~200°C
Humidity(max)/最大潮湿: <=95% [at 60 deg C / 140 F]
Shielding /屏蔽性能: 55dB(1GHz)
Salt Spray Corrosion/盐雾: 96hr
P op (max)/最大环境压力: 60 bar (870 psi)
Insert Configuration/针芯配置: 20芯 代码: 038
Pin Size/接触件直径: φ0.5mm
R (Max)/接触电阻: ≤15mΩ
Differential transmission rate/差分传输速率: 3.4Gbps
Insulation resistance/绝缘电阻: 5000MΩ
Withstand voltage/耐电压: 750V
Rated Current/额定电流: 1.8A
Cable AWG/配接电缆规格: φ8.1-φ10mm/26AWG



2) Mechanical data/机械特性:

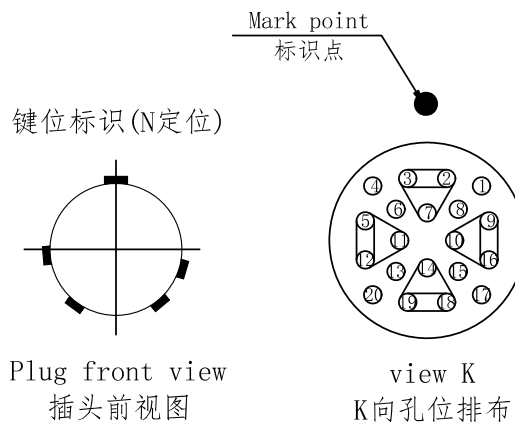
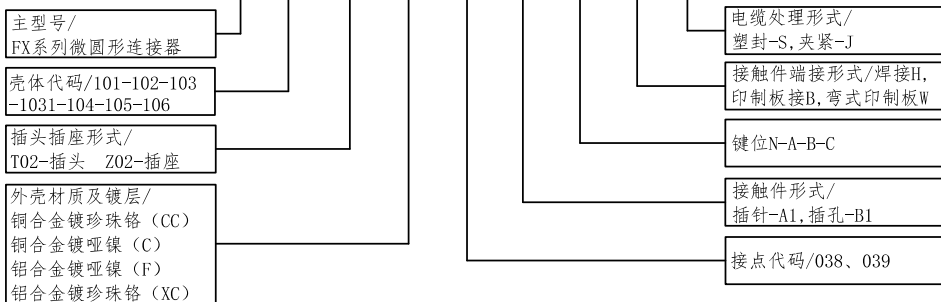
Vibration/振动: 1.0G²/Hz, 均方根值36.6G, ≤1us瞬断
Shock Resistance/冲击: 加速度2940m/s², ≤1us瞬断
Endurance (Shell)/机械寿命: 5000次

3) Other Specification/其它规格:

Contact PIN/接触件: Gold plated Tin bronze/锡青铜镀金
Housing Material/外壳材质: Dark nickel plated aluminium/铝合金镀哑镍
Other metal spare parts/其余金属件: Nickel plated brass/铜镀镍
Insulator material/绝缘材料: PEEK
IP Rating/防护等级: IP68(插合状态)

*ALL MATERIALS ARE RoHS COMPLIANT/所有材料均符合RoHS要求

型号命名 → FX·104·T02·F·038·A1·N-H·S



孔位	信号定义	孔位	信号定义
2	DATA1+	1	Signal or Powr
7	Shield	8	Signal or Powr
3	DATA1-	15	Signal or Powr
5	DATA2+	17	Signal or Powr
11	Shield	13	Signal or Powr
12	DATA2-	20	Signal or Powr
18	DATA3+	4	Signal or Powr
14	Shield	6	Signal or Powr
19	DATA3-		
9	DATA4+		
10	Shield		
16	DATA4-		

TOLERANCES UNLESS OTHERWISE SPECIFIED: 未标注尺寸公差: ±0.1 未标注角度公差: ±0.5°	FIRST ANGLE PROJECTION	Product name/产品名称 FX104 Plug FX104直式插头
	SIZE: A4 SCALE: 1: 1	
DRAWN BY: 绘图: Pd04	DATE/日期: 2022-08-19	Q/M NO 料号: FX104T02F038A1N-HS
CHECKED BY: 审核: Pd02	DATE/日期: 2022-08-19	DRAWING NO 图号: A1
APPROVED BY: 核准: Pd02	DATE/日期: 2022-08-19	CUSTOMER NO 客户料号:

Q/M (Quanma) Connector Shenzhen Co. LTD
深圳市全马连接器有限公司