

REV/版本	DESCRIPTION/变更内容	DATE/日期	DRAWN BY/绘图

1) Product main performance/产品主要性能指标:

Operating Temperature/工作温度: $-55^{\circ}\text{C} \sim 125^{\circ}\text{C}$
Humidity(max)/最大潮湿: $\leq 95\%$ [at 60 deg C / 140 F]
Shielding /屏蔽性能: 75dB(10MHz) 40dB(1GHz)
Salt Spray Corrosion/盐雾: 96hr
P op (max)/最大环境压力: 60 bar (870 psi)
Insert Configuration/针芯配置: 0G.316 16Low Voltage
Pin Size/接触件直径: $\phi 0.3\text{mm}$
R (Max)/接触电阻: $\leq 20\text{m}\Omega$
Insulation resistance/绝缘电阻: 5000M Ω
Withstand voltage/耐电压: 500V
Rated Current/额定电流: 1.0A
Cable AWG/电缆规格: 16*28AWG

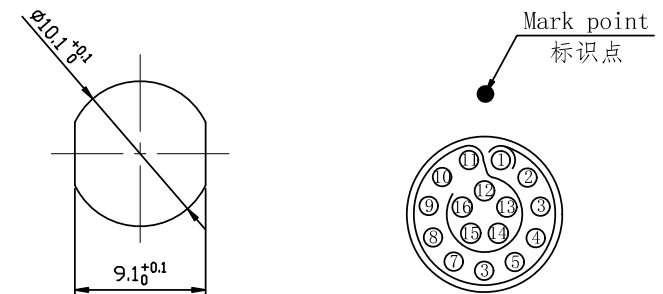
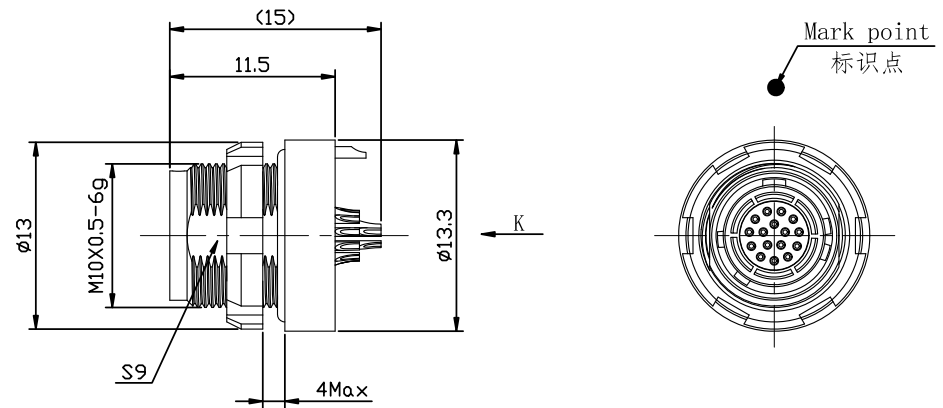
2. Mechanical data/机械特性:

Vibration/振动: 15g[10Hz~2000Hz]
Shock Resistance/冲击: 100g[6ms]
Endurance (Shell)/机械寿命: 5000次

3. Other Specification/其它规格:


Contact PIN/接触件: Gold plated Tin bronze/锡青铜镀金
Housing Material/外壳材质: Black chrome plated aluminium/铝合金镀黑铬
ther metal spare parts/其余金属件: Gold plated brass/铜镀金
Glue filling type/灌胶类型: Black epoxy resin/黑色环氧树脂
nsulator material/绝缘材料: PPS
IP Rating/防护等级: IP68(头座插合)

*ALL MATERIALS ARE RoHS COMPLIANT/所有材料均符合RoHS要求



Panel cut-outs
建议安装开孔尺寸

View k
K向孔位排列

TOLERANCES UNLESS OTHERWISE SPECIFIED: 未标注尺寸公差: ± 0.1 未标注角度公差: $\pm 0.5^{\circ}$	First ANGLE PROJECTION	Product name/产品名称	
	SIZE: A4	UNITS: mm	0G-ZLA固定式插座
	SCALE: 1: 1	SHEET: 1 OF 1	
DRAWN BY: 绘图: Pd04	DATE/日期: 2022-11-01	QM NO 料号: ZLA.0G.316.XKLL	REV/ 版本: A1
CHECKED BY: 审核: Pd02	DATE/日期: 2022-11-01	DRAWING NO 图号	
APPROVED BY: 核准: Pd02	DATE/日期: 2022-11-01	CUSTOMER NO 客户料号	
		 QM(Quanna) Connector Shenzhen Co. LTD 深圳市全马连接器有限公司	