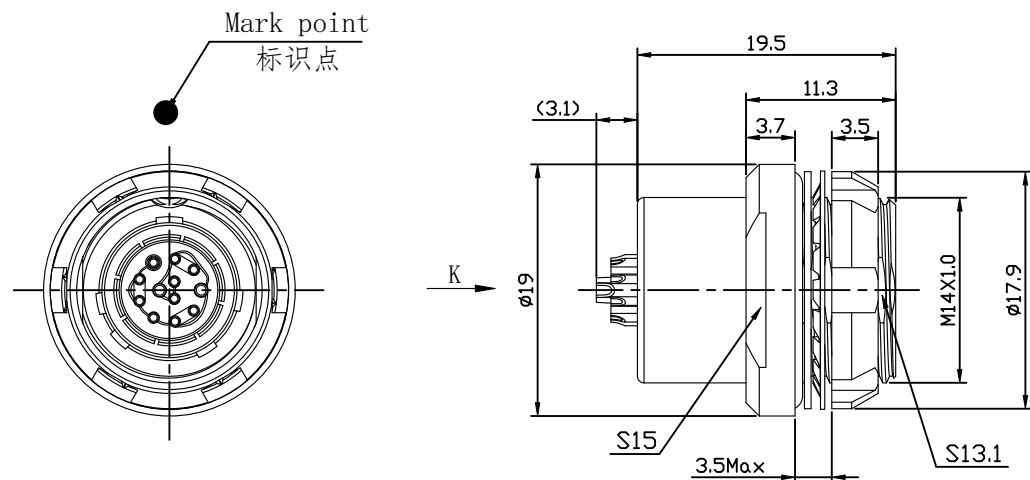


REV/版本	DESCRIPTION/变更内容	DATE/日期	DRAWN BY/绘图

1) Product main performance/产品主要性能指标:

Operating Temperature/工作温度: -55°C~200°C
Humidity(max)/最大潮湿: <=95% [at 60 deg C / 140 F]
Shielding /屏蔽性能: 55dB(1GHz)
Salt Spray Corrosion/盐雾: 96hr
P op (max)/最大环境压力: 60 bar (870 psi)
Insert Configuration/针芯配置: 12芯 接点代码: 052
Pin Size/接触件直径: $\phi 0.5\text{mm} + \phi 0.7\text{mm}$
R (Max)/接触电阻: $\leq 15\text{m}\Omega (\phi 0.5)$ 、 $\leq 12.5\text{m}\Omega (\phi 0.7)$
Differential transmission rate/差分传输速率: 5Gbps
Insulation resistance/绝缘电阻: 5000M Ω
Withstand voltage/耐电压: 875V
Rated Current/额定电流: 1.8A($\phi 0.5$)、3.8A($\phi 0.7$)



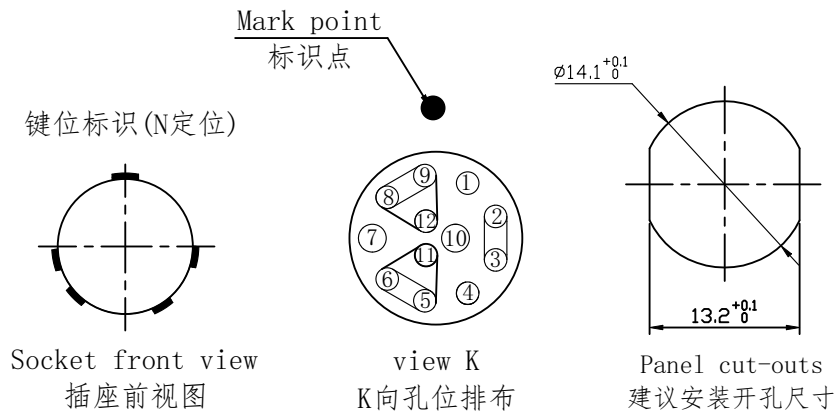
2) Mechanical data/机械特性:

Vibration/振动: 1.0G²/Hz, 均方根值36.6G, $\leq 1\mu\text{s}$ 瞬断
Shock Resistance/冲击: 加速度2940m/s², $\leq 1\mu\text{s}$ 瞬断
Endurance (Shell)/机械寿命: 5000次

3) Other Specification/其它规格:

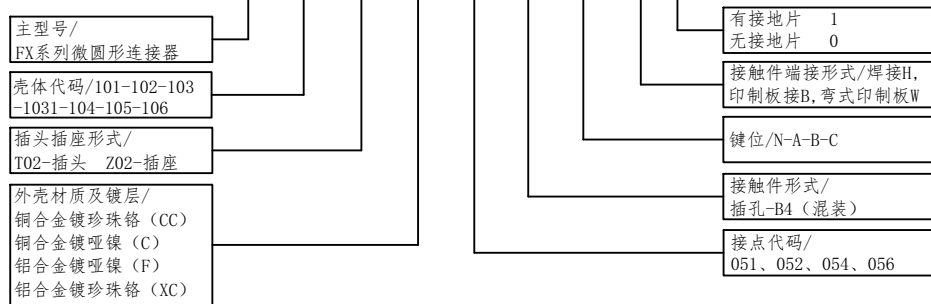
Contact PIN/接触件: Gold plated Tin bronze/锡青铜镀金
Housing Material/外壳材质: Dark nickel plated aluminium/
铝合金镀哑镍
Other metal spare parts/其余金属件: Nickel plated brass/铜镀镍
Insulator material/绝缘材料: PEEK
IP Rating/防护等级: IP68 (2m水深24h) 插合状态

*ALL MATERIALS ARE RoHS COMPLIANT/所有材料均符合RoHS要求



孔位	信号定义
1	VBUS
4	GND
2	DATA+
3	DATA-
5	SSTX+
11	GND DRAIN
6	SSTX-
8	SSRX+
12	GND DRAIN
9	SSRX-
7	POWER
10	GND

型号命名 → FX·1031·Z02·F·052·B4·N-H 0



TOLERANCES UNLESS OTHERWISE SPECIFIED:		FIRST ANGLE PROJECTION		Product name/产品名称	
未标注尺寸公差: ± 0.1 未标注角度公差: $\pm 0.5^\circ$		SIZE: A4	UNITS: mm	FX1031 Socket FX1031固定式插座	
DRAWN BY: 绘图: Pd04		SCALE: 1: 1	SHEET: 1 OF 1	QM NO 料号: FX1031Z02F052B4N-H0	REV/ 版本
CHECKED BY: 审核: Pd02		DATE/日期: 2024-06-22	DATE/日期: 2024-06-22	DRAWING NO 图号	A1
APPROVED BY: 核准: Pd02		DATE/日期: 2024-06-22	DATE/日期: 2024-06-22	CUSTOMER NO 客户料号	
				 QM(Quanma) Connector Shenzhen Co. LTD 深圳市全马连接器有限公司	