

REV/版本	DESCRIPTION/变更内容	DATE/日期	DRAWN BY/绘图
A1	接点代码更新	2024.8.20	Z01

1) Product main performance/产品主要性能指标:

Operating Temperature/工作温度: -55°C~200°C
Humidity(max)/最大潮湿: <=95% [at 60 deg C / 140 F]
Shielding /屏蔽性能: 55dB(1GHz)
Salt Spray Corrosion/盐雾: 96hr
P op (max)/最大环境压力: 60 bar (870 psi)
Insert Configuration/针芯配置: 20芯 接点代码: 038
Pin Size/接触件直径: $\phi 0.5\text{mm}$
R (Max)/接触电阻: $\leq 15\text{m}\Omega$
Differential transmission rate/差分传输速率: 3.4Gbps
Insulation resistance/绝缘电阻: 5000M Ω
Withstand voltage/耐电压: 750V
Rated Current/额定电流: 1.8A

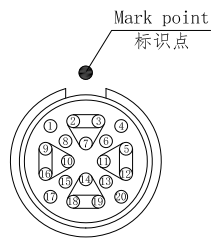
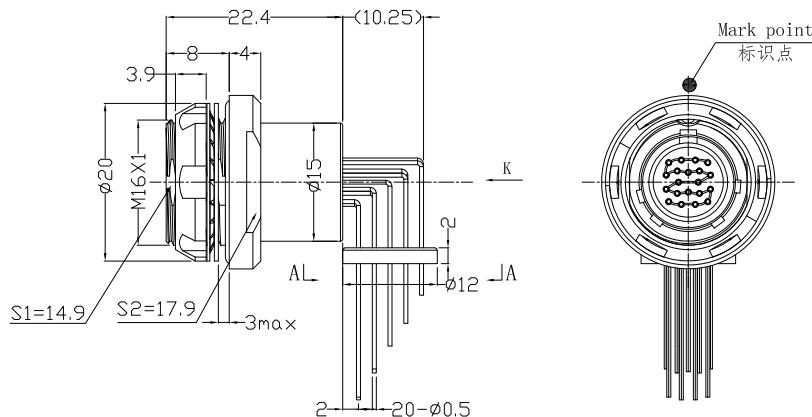
2) Mechanical data/机械特性:

Vibration/振动: 1.0G²/Hz, 均方根值36.6G, $\leq 1\mu\text{s}$ 瞬断
Shock Resistance/冲击: 加速度2940m/s², $\leq 1\mu\text{s}$ 瞬断
Endurance (Shell)/机械寿命: 5000次

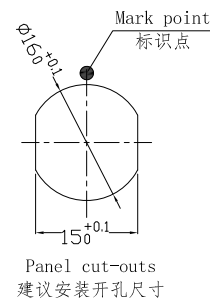
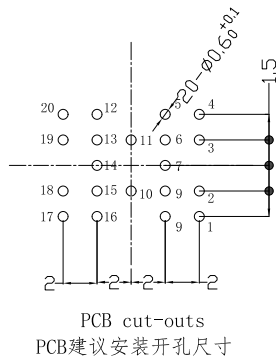
3) Other Specification/其它规格:

Contact PIN/接触件: Gold plated Tin bronze/锡青铜镀金
Housing Material/外壳材质: Dark nickel plated aluminium/铝合金镀哑镍
Other metal spare parts/其余金属件: Nickel plated brass/铜镀镍
Insulator material/绝缘材料: PEEK
IP Rating/防护等级: IP68(2m水深24h) 插合状态

*ALL MATERIALS ARE RoHS COMPLIANT/所有材料均符合RoHS要求

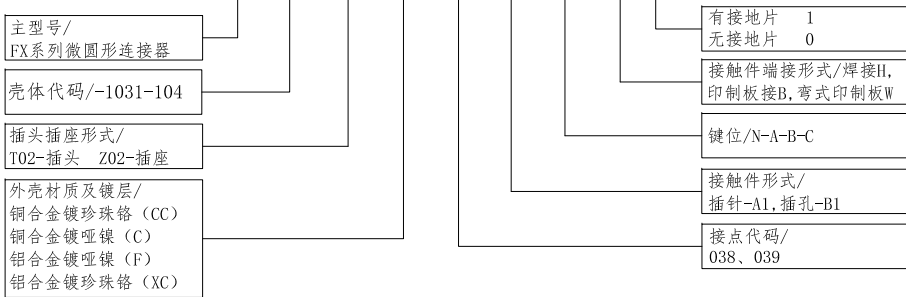


view K
K向孔位排布



孔位	信号定义
2	DATA1+
7	Shield
3	DATA1-
5	DATA2+
11	Shield
12	DATA2-
18	DATA3+
14	Shield
19	DATA3-
9	DATA4+
10	Shield
16	DATA4-

型号命名 → FX · 104 · Z02 · F · 038 · B1 · N - W 0



TOLERANCES UNLESS OTHERWISE SPECIFIED: 未标注尺寸公差: ± 0.1 未标注角度公差: $\pm 0.5^\circ$	FIRST ANGLE PROJECTION	Product name/产品名称 FX104 Socket FX104固定式插座	
	SIZE: A4 SCALE: 1: 1	UNITS: mm SHEET: 1 OF 1	
DRAWN BY: 绘图: Z01	DATE/日期: 2024-8-20	QM NO 料号 FX104Z02F038B1N-W0	REV/ 版本 A2
CHECKED BY: 审核: PD05	DATE/日期: 2024-8-20	DRAWING NO 图号 FX104Z02F038B1N-W0	
APPROVED BY: 核准: PD03	DATE/日期: 2024-8-20	CUSTOMER NO 客户料号	
		 QM (Quanna) Connector Shenzhen Co. LTD 深圳市全马连接器有限公司	