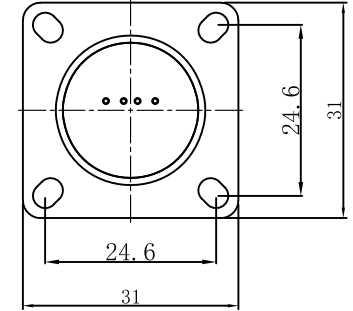
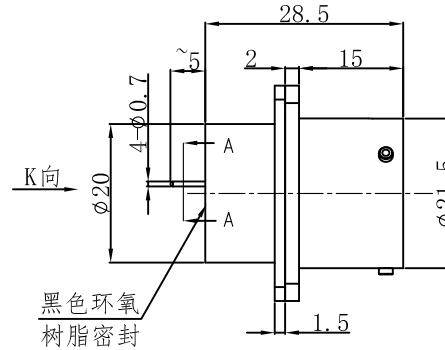
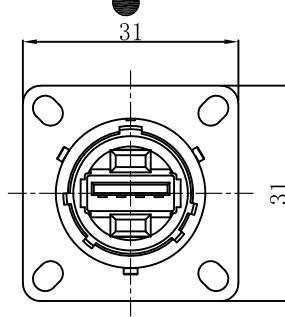


1) Product main performance/产品主要性能指标:  
 Operating Temperature/工作温度:  $-55^{\circ}\text{C}\sim 125^{\circ}\text{C}$   
 Relative humidity/相对湿度:  $90\%\sim 95\%$  ( $40\pm 2^{\circ}\text{C}$ )  
 Working voltage/工作电压: 30V DC  
 Working current/工作电流: 1.5A  
 Insulation resistance/绝缘电阻:  $1000\text{M}\Omega$   
 Withstand voltage/耐电压: 500V AC  
 Contact resistance/接触电阻:  $\leq 30\text{m}\Omega$   
 Data transmission performance/数据传输性能:  
 USB2.0: 480Mbps (60MB/s)

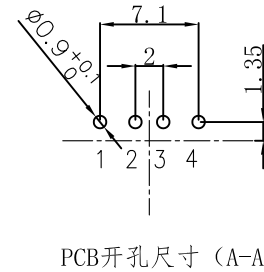
2) Mechanical data/机械特性:  
 Vibration/振动:  $10\sim 2000\text{Hz}$   $147\text{m/s}^2$   
 Shock Resistance/冲击:  $490\text{m/s}^2$   
 Salt Spray Corrosion/盐雾: 96hr  
 Endurance (Shell)/机械寿命: 500

3) Other Specification/其它规格:  
 Contact PIN/接触件: Tin bronze plating/锡青铜镀金  
 Housing Material/外壳材质: Aluminum alloy electroless plating dark nickel/铝合金镀化学哑镍  
 Other metal spare parts/其余金属件: Aluminum alloy nickel plating/铝合金镀镍  
 Card pin material/卡销材质: SUS316 /不锈钢316  
 USB Insulator material/USB绝缘材料: PBT White  
 IP Rating/防护等级: IP50  
 \*ALL MATERIALS ARE RoHS COMPLIANT/所有材料均符合RoHS要求

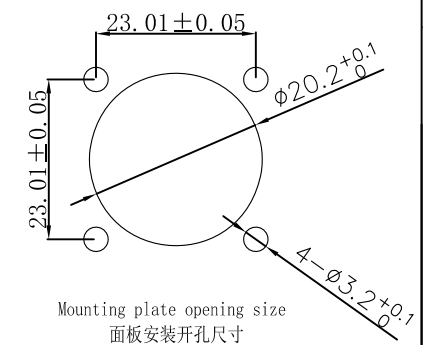
标识点  
Mark point



Pin definition/引脚定义	
编号	定义
1	VCC
2	D -
3	D +
4	GND



PCB开孔尺寸 (A-A)



Mounting plate opening size  
面板安装开孔尺寸

REV/版本	DESCRIPTION/变更内容	DATE/日期	DRAWN BY/绘图
A6	"哑镍"改成"镍银"	2024.07.19	Z02

TOLERANCES UNLESS OTHERWISE SPECIFIED: 未标注尺寸公差:		THIRD ANGLE PROJECTION		Product name/产品名称	
.x ±0.5	x.* ±1.0'	SIZE: A4	UNITS: mm	插座/Socket (USB2.0)	
.xx ±0.2	.x.* ±0.5'	SCALE: 1: 1	SHEET: 1 OF 1	DRAWN BY: 绘图: Z02	DATE/日期: 2024.07.19
CHECKED BY: 审核: PD05		DATE/日期: 2024.07.19		QM NO 料号: YW120Fm02B	REV/ 版本: A6
APPROVED BY: 核准: PD03		DATE/日期: 2024.07.19		DRAWING NO 图号: _____	
				CUSTOMER NO 客户料号: _____	

**QM**  
Connector System  
 QM(Quanna) Connector Shenzhen Co. LTD  
 深圳市全马连接器有限公司