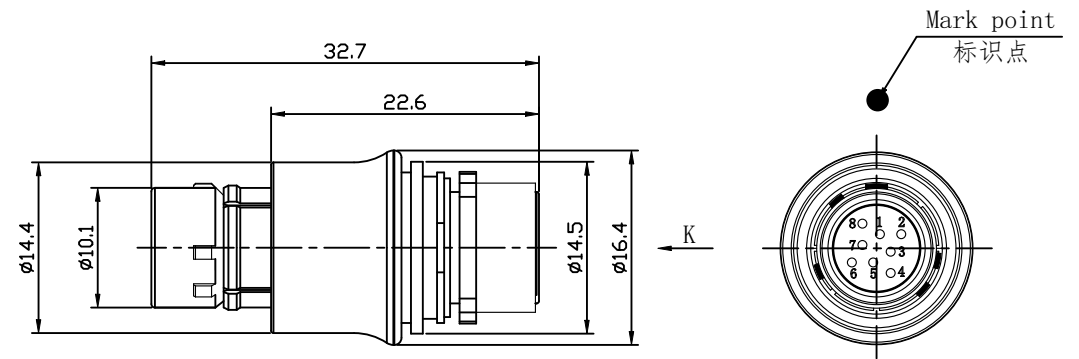


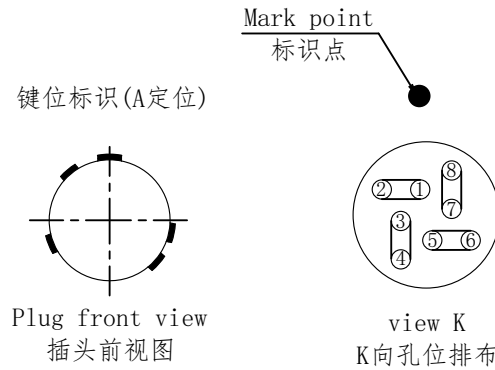
| | | | |
|--------|------------------|---------|-------------|
| REV/版本 | DESCRIPTION/变更内容 | DATE/日期 | DRAWN BY/绘图 |
| | | | |

1) Product main performance/产品主要性能指标:
 Operating Temperature/工作温度: -55℃~200℃
 Humidity(max)/最大潮湿: <=95% [at 60 deg C / 140 F]
 Shielding /屏蔽性能: 55dB(1GHz)
 Salt Spray Corrosion/盐雾: 96hr
 P op (max)/最大环境压力: 60 bar (870 psi)
 Insert Configuration/针芯配置: 8芯 接点代码: 056
 Pin Size/接触件直径: $\phi 0.5\text{mm}$
 R (Max)/接触电阻: $\leq 15\text{m}\Omega$
 Differential transmission rate/差分传输速率: 250Mbps
 Insulation resistance/绝缘电阻: 5000M Ω
 Withstand voltage/耐电压: 750V
 Rated Current/额定电流: 1.8A
 Cable AWG/配接电缆规格: $\phi 6.1-\phi 8.0\text{mm}/26\text{AWG}$



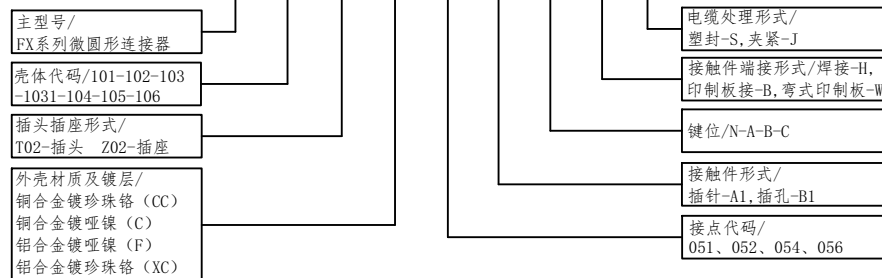
2) Mechanical data/机械特性:
 Vibration/振动: $1.0\text{G}^2/\text{Hz}$, 均方根值36.6G, $\leq 1\mu\text{s}$ 瞬断
 Shock Resistance/冲击: 加速度2940m/s², $\leq 1\mu\text{s}$ 瞬断
 Endurance (Shell)/机械寿命: 5000次

3) Other Specification/其它规格:
 Contact PIN/接触件: Gold plated Tin bronze/锡青铜镀金
 Housing Material/外壳材质: Dark nickel plated aluminium/铝合金镀哑镍
 Other metal spare parts/其余金属件: Nickel plated brass/铜镀镍
 Insulator material/绝缘材料: PEEK
 IP Rating/防护等级: IP68(2m水深24h) 插合状态
 *ALL MATERIALS ARE RoHS COMPLIANT/所有材料均符合RoHS要求



| 孔位 | 信号定义 |
|----|--------|
| 1 | DATA1+ |
| 2 | DATA1- |
| 3 | DATA2+ |
| 4 | DATA2- |
| 5 | DATA3+ |
| 6 | DATA3- |
| 7 | DATA4+ |
| 8 | DATA4- |

型号命名 → FX · 1031 · T02 · F · 056 · A1 · A - H · S



| | | |
|--|------------------------|---|
| TOLERANCES UNLESS OTHERWISE SPECIFIED: 未标注尺寸公差: ± 0.1 未标注角度公差: $\pm 0.5^\circ$ | FIRST ANGLE PROJECTION | Product name/产品名称 FX1031 Plug FX1031直式插头 |
| | SCALE: 1: 1 | |
| DRAWN BY: 绘图: Pd04 | DATE/日期: 2023-12-30 | QM NO 料号: FX1031T02F056A1A-HS |
| CHECKED BY: 审核: Pd02 | DATE/日期: 2023-12-30 | DRAWING NO 图号 |
| APPROVED BY: 核准: Pd02 | DATE/日期: 2023-12-30 | CUSTOMER NO 客户料号 |
| | | REV/版本: A1 |
| | | QM (Quanma) Connector System Shenzhen Co. LTD 深圳市全马连接器有限公司 |