

REV/版本	DESCRIPTION/变更内容	DATE/日期	DRAWN BY/绘图
A2	型号更新	2022-05-13	Pd04

### 1. Product main performance/产品主要性能指标:

Operating Temperature/工作温度:  $-55^{\circ}\text{C} \sim 200^{\circ}\text{C}$   
Humidity(max)/最大潮湿:  $\leq 95\%$  [at 60 deg C / 140 F]  
Shielding /屏蔽性能: 75dB(10MHz) 40dB(1GHz)  
Salt Spray Corrosion/盐雾: 96hr  
P op (max)/最大环境压力: 60 bar (870 psi)  
Insert Configuration/针芯配置: 1R.410 10Low Voltage  
4Coax(50 Ohm)

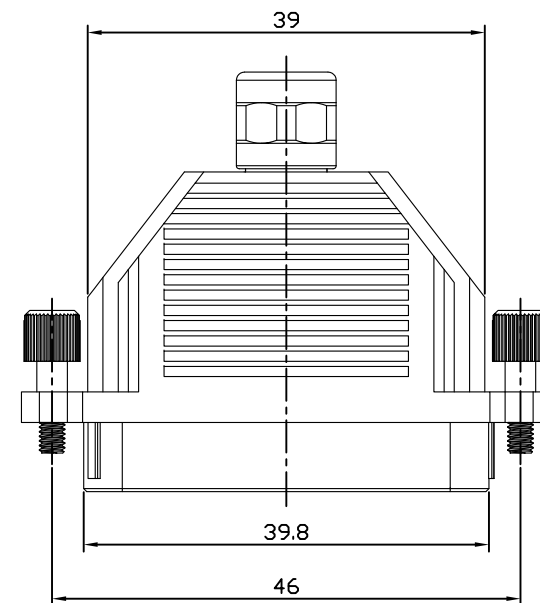
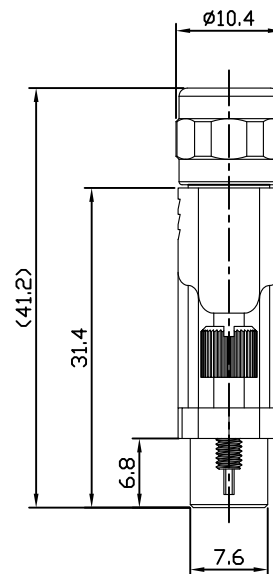
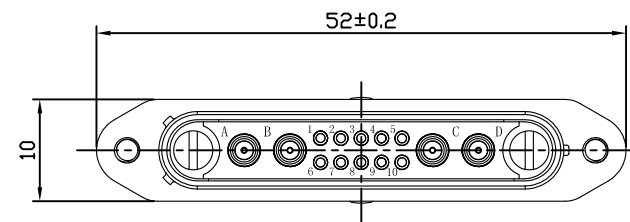
Pin Size/接触件直径:  $\phi 0.7\text{mm}$   
R (Max)/接触电阻:  $\leq 12.5\text{m}\Omega$   
Insulation resistance/绝缘电阻:  $5000\text{M}\Omega$  (测试电压500V(DC))  
Withstand voltage/耐电压: 1000V(AC)  
Rated Current/额定电流: 3.0A  
Use frequency/使用频率: 0-1GHz  
Cable/配接电缆:  $\phi 6.1\text{mm} - \phi 6.8\text{mm}$   
Cable(Coax)/配接电缆(同轴):  $\phi 1.6\text{mm} - \phi 2.2\text{mm}$

### 2. Mechanical data/机械特性:

Vibration/振动: 15g[10Hz~2000Hz]  
Shock Resistance/冲击: 100g[6ms]  
Endurance (Shell)/机械寿命: 5000+

### 3. Other Specification/其它规格:

Contact PIN/接触件: Gold plated Tin bronze/锡青铜镀金  
Housing Material/外壳材质: Dark nickel plated aluminium/铝合金镀哑镍  
Other metal spare parts/其余金属件: Nickel plated brass/铜镀镍  
Insulator material/绝缘材料: PPS  
IP Rating/防护等级: IP50  
\*ALL MATERIALS ARE RoHS COMPLIANT/所有材料均符合RoHS要求



TOLERANCES UNLESS OTHERWISE SPECIFIED: 未标注尺寸公差: $\pm 0.1$ 未标注角度公差: $\pm 0.5^{\circ}$	First ANGLE PROJECTION	Product name/产品名称	
	SIZE: A4 UNITS: mm	1R-TGG插头	
	SCALE: 1: 1 SHEET: 1 OF 1	QW NO 料号	TGG. 1R. 410. XFLA
DRAWN BY: 绘图:	Pd04	DATE/日期:	2022-05-13
CHECKED BY: 审核:	Pd02	DATE/日期:	2022-05-13
APPROVED BY: 核准:	Pd02	DATE/日期:	2022-05-13
		DRAWING NO 图号	
		CUSTOMER NO 客户料号	A2
		 QM(Quanma) Connector Shenzhen Co. LTD 深圳市全马连接器有限公司	