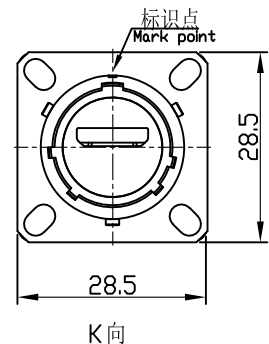
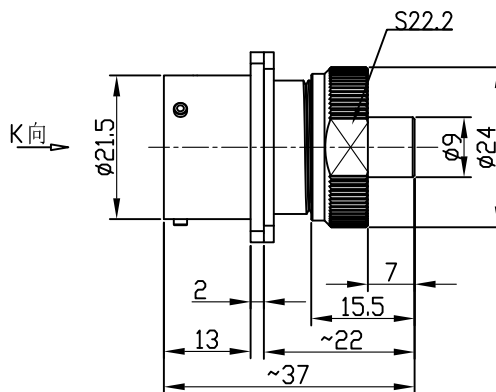


1) Product main performance/产品主要性能指标:
 Operating Temperature/工作温度: -55°C~125°C
 Relative humidity/相对湿度: 90%~95% (40±2° C)
 Working voltage/工作电压: 5V
 Working current/工作电流: 50mA
 Insulation resistance/绝缘电阻: 5000MΩ
 Data transmission performance/数据传输性能: HDMI: 4.5GB/s

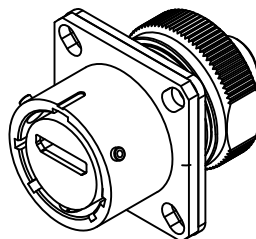
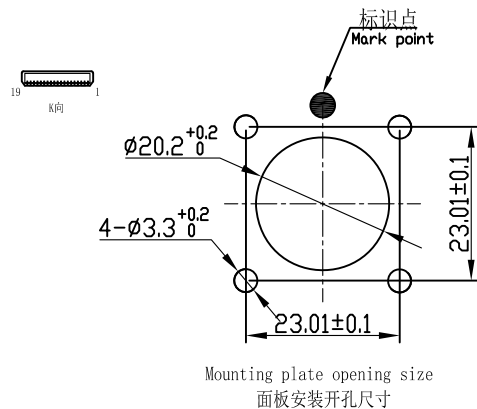
2) Mechanical data/机械特性:
 Connection type/连接方式: Bayonet connection/卡口连接
 Vibration/振动: 10~2000Hz 147m/s²
 Shock Resistance/冲击: 490m/s²
 Salt Spray Corrosion/盐雾: 96hr
 Endurance (Shell)/机械寿命: 500

3) Other Specification/其它规格:
 Housing Material/外壳材质: Aluminum alloy electroless plating bright nickel/铝合金镀化学光亮镍
 Card pin material/卡销材质: SUS316 /不锈钢316
 Insulator material/绝缘材料: PPS
 IP Rating/防护等级: IP68(Interpolation state/插合状态)
 *ALL MATERIALS ARE RoHS COMPLIANT/所有材料均符合RoHS要求

REV/版本	DESCRIPTION/变更内容	DATE/日期	DRAWN BY/绘图
A1	版面更新	20210913	pd01
A2	增加盐雾	20210923	pd01
A3	更改引脚定义	20211014	pd01
A4	1: 更改料号名称: YW120F09S-A1 更改成: "YW120F09S-A1" 2: 规格书字体更新	20240719	Z02



Pin definition/引脚定义	Wire/电线
1 TMS 数据2 (屏蔽线)	B
2 TMS 数据2-	A
3 TMS 数据2+	A
4 TMS 数据1 (屏蔽线)	B
5 TMS 数据1-	A
6 TMS 数据1+	A
7 TMS 数据0 (屏蔽线)	B
8 TMS 数据0+	A
9 TMS 数据0-	A
10 TMS 时钟信号 (屏蔽线)	B
11 TMS 时钟信号+	A
12 TMS 时钟信号-	A
13 DDC/CEC 接地	DDC/CEC 接地
14 CEC	CEC
15 SCL	SCL
16 SDA	SDA
17 Reserver(N.C.)	Reserver(N.C.)
18 +5V	5V
19 热插拔检测	C



TOLERANCES UNLESS OTHERWISE SPECIFIED: 未标注尺寸公差:	THIRD ANGLE PROJECTION	Product name/产品名称
	SIZE: A4 UNITS: mm	插座/Socket
.x ±0.5 x.* ±1.0 .xx ±0.2 .x.* ±0.5	SCALE: 1: 1 SHEET: 1 OF 1	DRAWN BY: 绘图: Z02
CHECKED BY: 审核: PD05	DATE/日期: 2024. 07. 19	QM NO 料号: YW120F09S-A1
APPROVED BY: 核准: PD03	DATE/日期: 2024. 07. 19	DRAWING NO 图号: CUSTOMER NO 客户料号: REV/ 版本: A4

Product name/产品名称: 插座/Socket

QM NO 料号: YW120F09S-A1

DRAWING NO 图号:
CUSTOMER NO 客户料号:
REV/版本: A4

QM
Connector System

QM(Quanna) Connector Shenzhen Co. LTD
深圳市全马连接器有限公司