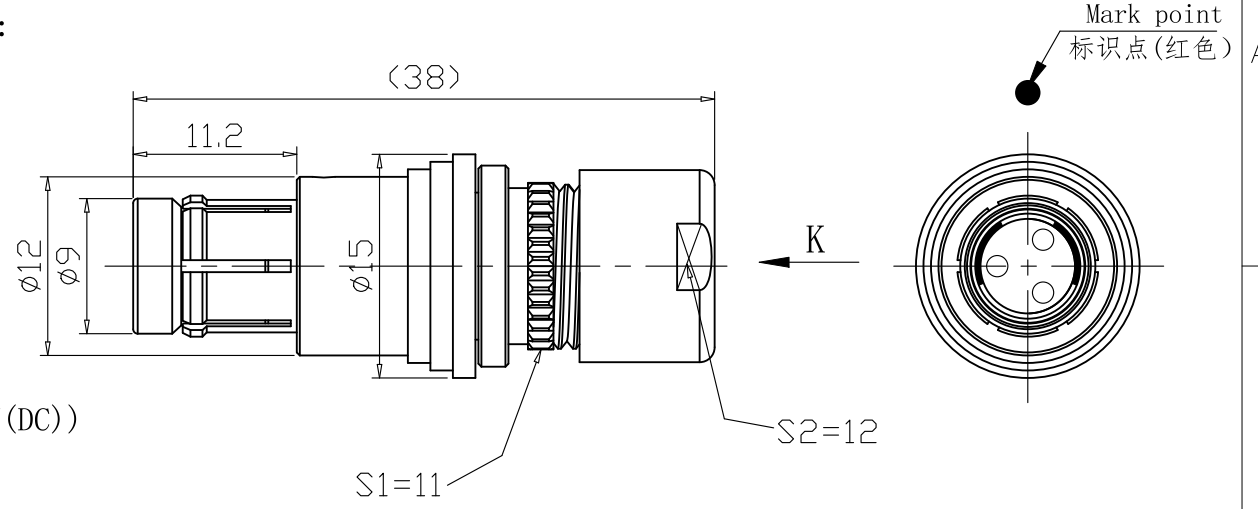


REV/版本	DESCRIPTION/变更内容	DATE/日期	DRAWN BY/绘图
A2	修正部分电气参数	2022.08.29	PD03

1) Product main performance/产品主要性能指标:

Operating Temperature/工作温度: -55°C~200°C  
Humidity(max)/最大潮湿: <=95% [at 60 deg C / 140 F]  
Shielding /屏蔽性能: 75dB(10MHz) 40dB(1GHz)  
Salt Spray Corrosion/盐雾: 96hr  
P op (max)/最大环境压力: 60 bar (870 psi)  
Insert Configuration/针芯配置: 1F.303 3Low Voltage  
Pin Size/接触件直径: Φ1.3mm  
R (Max)/接触电阻: ≤5mΩ  
Insulation resistance/绝缘电阻: 5000MΩ (测试电压500V(DC))  
Withstand voltage/耐电压: 1500V(AC)  
Rated Current/额定电流: 10A



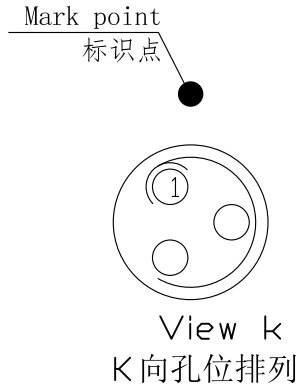
2) Mechanical data/机械特性:

Vibration/振动: 10Hz~2000Hz, 加速度147m/s<sup>2</sup>, 瞬断≤1 us  
Shock Resistance/冲击: 980m/s<sup>2</sup>, 瞬断≤1 us  
Endurance (Shell)/机械寿命: 5000

3) Other Specification/其它规格:

Contact PIN/接触件: Gold-Tin bronze plating/锡青铜镀金  
Housing Material/外壳材质: Pearl-plated chrome brass/黄铜镀珍珠铬  
Other metal spare parts/其余金属件: nickel plated brass/黄铜镀镍  
Sealing ring material/密封圈: 硅橡胶  
Insulator material/绝缘材料: PPS  
IP Rating/防护等级: IP68(尾部密封防护处理)

\*ALL MATERIALS ARE RoHS COMPLIANT/所有材料均符合RoHS要求



TOLERANCES UNLESS OTHERWISE SPECIFIED: 未标注尺寸公差: ±0.1 未标注角度公差: ±0.5°	First ANGLE PROJECTION	Product name/产品名称	
	SIZE: A4 UNITS: mm	插头/Plug	
	SCALE: 1: 1 SHEET: 1 OF 1		
DRAWN BY: 绘图: Pd03	DATE/日期: 2022-08-29	QM NO 料号: JX-AC-3KT-C	REV/ 版本
CHECKED BY: 审核: Pd04	DATE/日期: 2022-08-29	DRAWING NO 图号	A2
APPROVED BY: 核准: Pd02	DATE/日期: 2022-08-29	CUSTOMER NO 客户料号	
		 QM(Quanma) Connector Shenzhen Co. LTD 深圳市全马连接器有限公司	