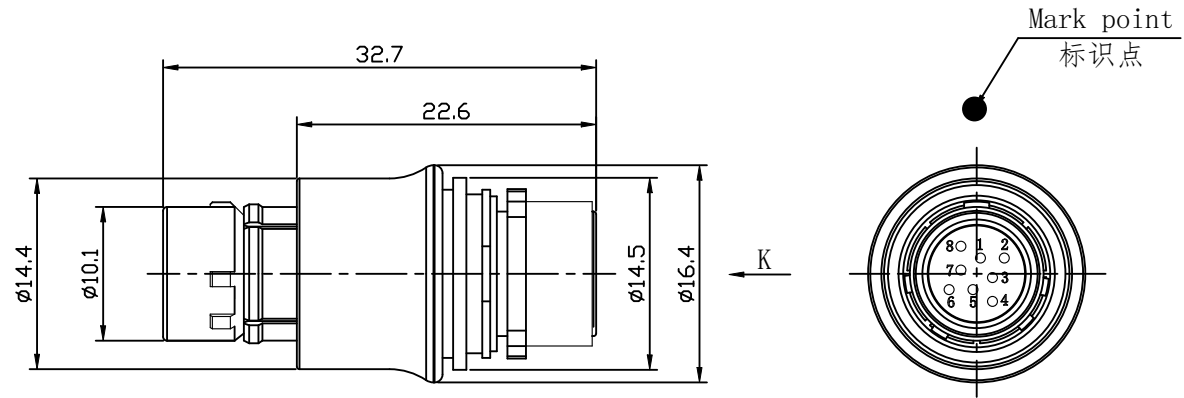


REV/版本	DESCRIPTION/变更内容	DATE/日期	DRAWN BY/绘图

1) Product main performance/产品主要性能指标:

Operating Temperature/工作温度: -55°C~200°C
Humidity(max)/最大潮湿: <=95% [at 60 deg C / 140 F]
Shielding /屏蔽性能: 55dB(1GHz)
Salt Spray Corrosion/盐雾: 96hr
P op (max)/最大环境压力: 60 bar (870 psi)
Insert Configuration/针芯配置: 8芯 接点代码: 056
Pin Size/接触件直径: $\phi 0.5\text{mm}$
R (Max)/接触电阻: $\leq 15\text{m}\Omega$
Differential transmission rate/差分传输速率: 250Mbps
Insulation resistance/绝缘电阻: 5000M Ω
Withstand voltage/耐压: 750V
Rated Current/额定电流: 1.8A
Cable AWG/配接电缆规格: $\phi 6.1-\phi 8.0\text{mm}/26\text{AWG}$



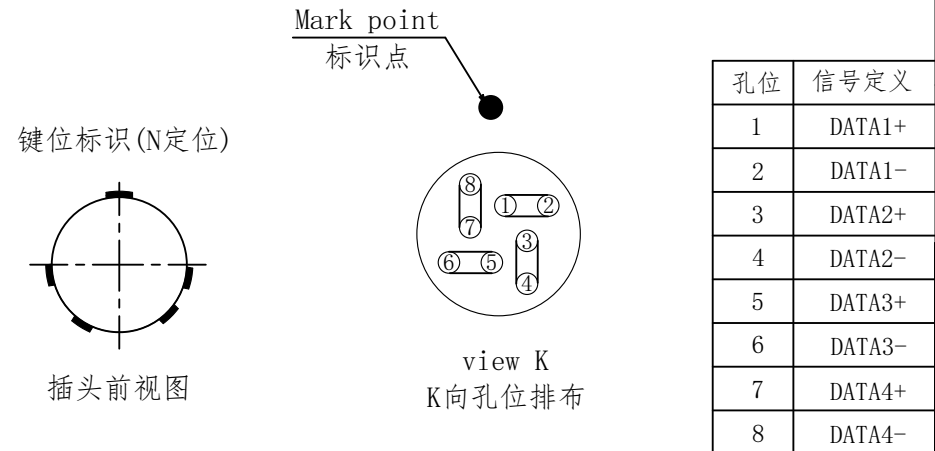
2) Mechanical data/机械特性:

Vibration/振动: $1.0\text{G}^2/\text{Hz}$, 均方根值36.6G, $\leq 1\mu\text{s}$ 瞬断
Shock Resistance/冲击: 加速度2940m/s², $\leq 1\mu\text{s}$ 瞬断
Endurance (Shell)/机械寿命: 5000+

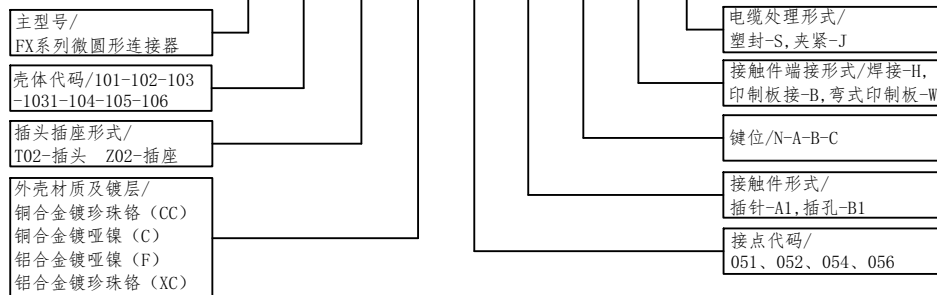
3) Other Specification/其它规格:

Contact PIN/接触件: Gold plated Tin bronze/锡青铜镀金
Housing Material/外壳材质: Dark nickel plated aluminium/铝合金镀哑镍
Other metal spare parts/其余金属件: Nickel plated brass/铜镀镍
Insulator material/绝缘材料: PEEK
IP Rating/防护等级: IP68(2m水深24h) 插合状态

*ALL MATERIALS ARE RoHS COMPLIANT/所有材料均符合RoHS要求



型号命名 → FX·1031·T02·F·056·B1·N-H·S



TOLERANCES UNLESS OTHERWISE SPECIFIED: 未标注尺寸公差: ± 0.1 未标注角度公差: $\pm 0.5^\circ$	FIRST ANGLE PROJECTION	Product name/产品名称 FX1031 Plug FX1031直式插头(针孔倒置)
	SIZE: A4 SCALE: 1: 1	
DRAWN BY: 绘图: Pd04	DATE/日期 2022-06-20	QM NO 料号: FX1031T02F056B1N-HS
CHECKED BY: 审核: Pd02	DATE/日期 2022-06-20	DRAWING NO 图号
APPROVED BY: 核准: Pd02	DATE/日期 2022-06-20	CUSTOMER NO 客户料号
		 QM(Quanma) Connector Shenzhen Co. LTD 深圳市全马连接器有限公司