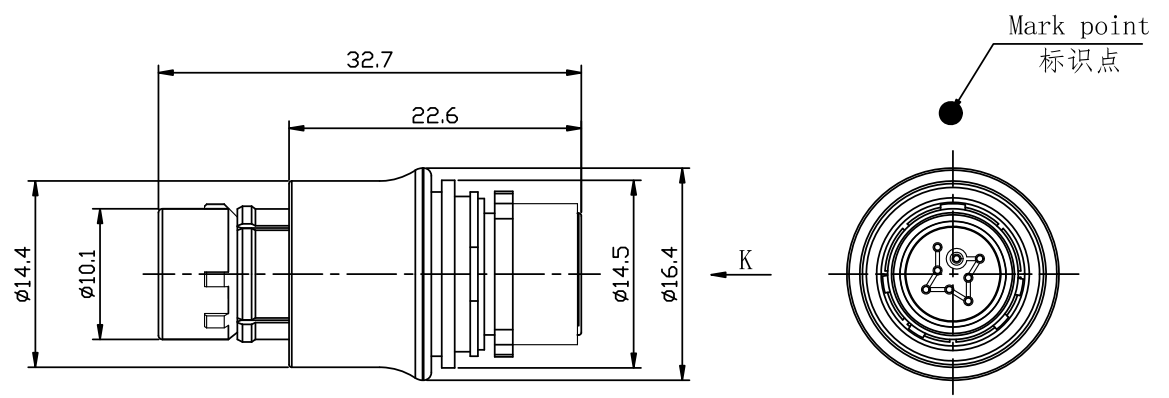


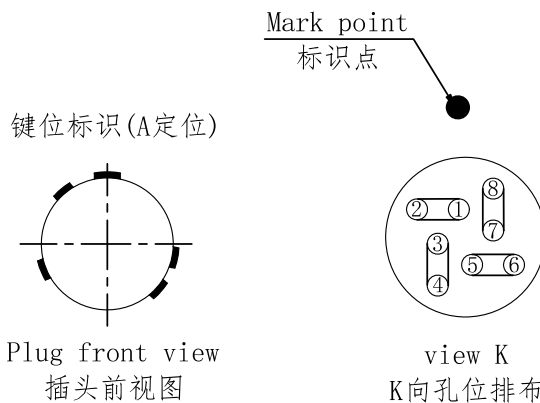
REV/版本	DESCRIPTION/变更内容	DATE/日期	DRAWN BY/绘图

1) Product main performance/产品主要性能指标:  
 Operating Temperature/工作温度: -55℃~200℃  
 Humidity(max)/最大潮湿: <=95% [at 60 deg C / 140 F]  
 Shielding /屏蔽性能: 55dB(1GHz)  
 Salt Spray Corrosion/盐雾: 96hr  
 P op (max)/最大环境压力: 60 bar (870 psi)  
 Insert Configuration/针芯配置: 8芯 接点代码: 051  
 Pin Size/接触件直径:  $\phi 0.5\text{mm}$   
 R (Max)/接触电阻:  $\leq 15\text{m}\Omega$   
 Differential transmission rate/差分传输速率: 2.5Gbps  
 Insulation resistance/绝缘电阻: 5000M $\Omega$   
 Withstand voltage/耐电压: 750V  
 Rated Current/额定电流: 1.8A  
 Cable AWG/配接电缆规格:  $\phi 6.1-\phi 8.0\text{mm}/26\text{AWG}$



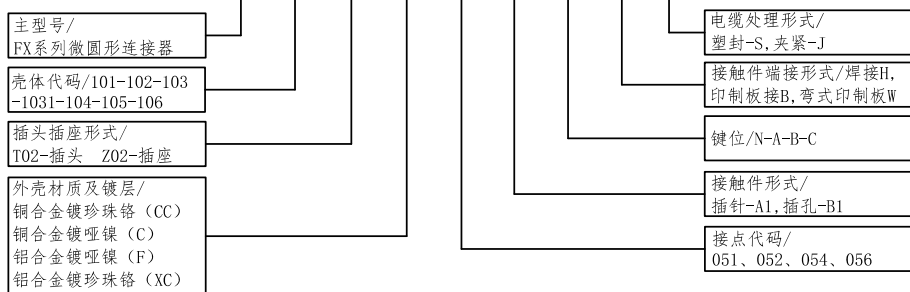
2) Mechanical data/机械特性:  
 Vibration/振动: 1.0G<sup>2</sup>/Hz, 均方根值36.6G,  $\leq 1\mu\text{s}$ 瞬断  
 Shock Resistance/冲击: 加速度2940m/s<sup>2</sup>,  $\leq 1\mu\text{s}$ 瞬断  
 Endurance (Shell)/机械寿命: 5000次

3) Other Specification/其它规格:  
 Contact PIN/接触件: Gold plated Tin bronze/锡青铜镀金  
 Housing Material/外壳材质: Dark nickel plated brass/铜镀哑镍  
 Other metal spare parts/其余金属件: Nickel plated brass/铜镀镍  
 Insulator material/绝缘材料: PEEK  
 IP Rating/防护等级: IP68 (2m水深24h) 插合状态  
 \*ALL MATERIALS ARE RoHS COMPLIANT/所有材料均符合RoHS要求



孔位	信号定义
1	DATA1+
2	DATA1-
3	DATA2+
4	DATA2-
5	DATA3+
6	DATA3-
7	DATA4+
8	DATA4-

型号命名 → FX·1031·T02·C·051·A1·A-H·S



TOLERANCES UNLESS OTHERWISE SPECIFIED: 未标尺寸公差: $\pm 0.1$ 未标角度公差: $\pm 0.5^\circ$	FIRST ANGLE PROJECTION	Product name/产品名称 FX1031 Plug FX1031直式插头(万兆网)	
	SIZE: A4	UNITS: mm	
	SCALE: 1: 1	SHEET: 1 OF 1	
DRAWN BY: 绘图: PD04	DATE/日期: 2023-09-12	QM NO 料号: FX1031T02C051A1A-HS	REV/ 版本: A1
CHECKED BY: 审核: PD02	DATE/日期: 2023-09-12	DRAWING NO 图号	
APPROVED BY: 核准: PD02	DATE/日期: 2023-09-12	CUSTOMER NO 客户料号	
		 QM (Quanna) Connector Shenzhen Co. LTD 深圳市全马连接器有限公司	