

1) Product main performance/产品主要性能指标:

Operating Temperature/工作温度: -55°C~200°C
 Humidity(max)/最大潮湿: <=95% [at 60 deg C / 140 F]
 Shielding /屏蔽性能: 55dB(1GHz)
 Salt Spray Corrosion/盐雾: 96hr
 P op (max)/最大环境压力: 60 bar (870 psi)
 Insert Configuration/针芯配置: 20芯 代码: 039
 Pin Size/接触件直径: $\phi 0.5\text{mm}$
 R (Max)/接触电阻: $\leq 15\text{m}\Omega$
 Differential transmission rate/差分传输速率: 250Mbps
 Insulation resistance/绝缘电阻: 5000M Ω
 Withstand voltage/耐电压: 750V
 Rated Current/额定电流: 1.8A
 Cable AWG/配接电缆规格: $\phi 8.1-\phi 10\text{mm}/26\text{AWG}$

2) Mechanical data/机械特性:

Vibration/振动: $1.0\text{G}^2/\text{Hz}$, 均方根值36.6G, $\leq 1\mu\text{s}$ 瞬断
 Shock Resistance/冲击: 加速度2940m/s², $\leq 1\mu\text{s}$ 瞬断
 Endurance (Shell)/机械寿命: 5000次

3) Other Specification/其它规格:

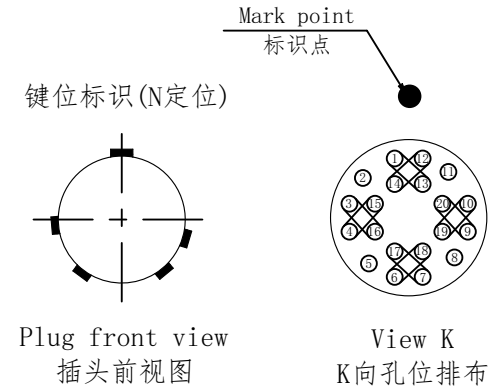
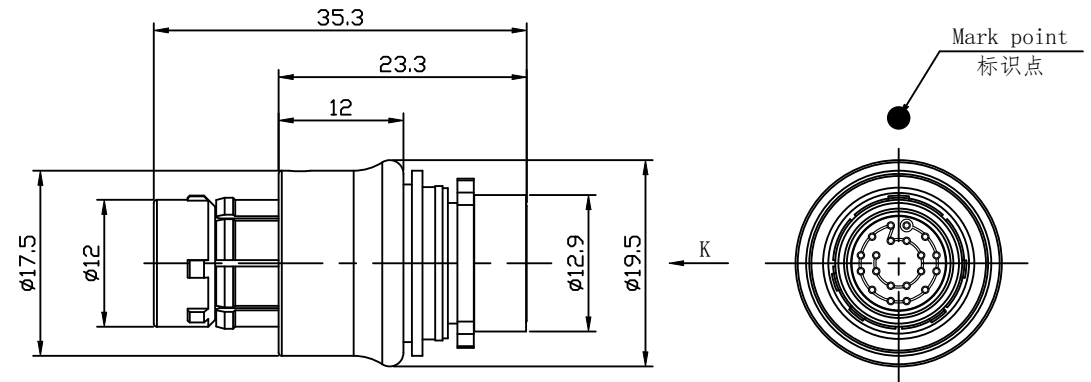
Contact PIN/接触件: Gold plated Tin bronze/锡青铜镀金
 Housing Material/外壳材质: Dark nickel plated aluminium/铝合金镀哑镍
 Other metal spare parts/其余金属件: Nickel plated brass/铜镀镍
 Insulator material/绝缘材料: PEEK
 IP Rating/防护等级: IP68(插合状态)

*ALL MATERIALS ARE RoHS COMPLIANT/所有材料均符合RoHS要求

型号命名 \rightarrow FX·104·T02·F·039·A1·N·H·S

主型号/ FX系列微圆形连接器	电缆处理形式/ 塑封-S, 夹紧-J
壳体代码/101-102-103 -1031-104-105-106	接触件端接形式/焊接H, 印制板接B, 弯式印制板W
插头插座形式/ T02-插头 Z02-插座	键位N-A-B-C
外壳材质及镀层/ 铜合金镀珍珠铬(CC) 铜合金镀哑镍(C) 铝合金镀哑镍(F) 铝合金镀珍珠铬(XC)	接触件形式/ 插针-A1, 插孔-B1
	接点代码/038, 039

REV/版本	DESCRIPTION/变更内容	DATE/日期	DRAWN BY/绘图



孔位	信号定义		
1	1-DATA1+		
13	1-DATA1-		
12	1-DATA2+		
14	1-DATA2-		
9	2-DATA3+	3	1-DATA3+
20	2-DATA3-	16	1-DATA3-
10	2-DATA4+	4	1-DATA4+
19	2-DATA4-	15	1-DATA4-
2	Signal or Powr	6	2-DATA1+
5	Signal or Powr	18	2-DATA1-
8	Signal or Powr	7	2-DATA2+
11	Signal or Powr	17	2-DATA2-

TOLERANCES UNLESS OTHERWISE SPECIFIED: 未标注尺寸公差: ± 0.1 未标注角度公差: $\pm 0.5^\circ$	FIRST ANGLE PROJECTION	Product name/产品名称 FX104 Plug FX104直式插头
	SIZE: A4 UNITS: mm SCALE: 1: 1 SHEET: 1 OF 1	
DRAWN BY: 绘图: Pd04	DATE/日期: 2023-12-06	QM NO 料号: FX104T02F039A1N-HS
CHECKED BY: 审核: Pd02	DATE/日期: 2023-12-06	DRAWING NO 图号
APPROVED BY: 核准: Pd02	DATE/日期: 2023-12-06	CUSTOMER NO 客户料号
		REV/版本: A1
		 QM (Quanma) Connector System Shenzhen Co. LTD 深圳市全马连接器有限公司