

1) Product main performance/产品主要性能指标:

Operating Temperature/工作温度: $-55^{\circ}\text{C} \sim 125^{\circ}\text{C}$

Relative humidity/相对湿度: $90\% \sim 95\% (40 \pm 2^{\circ}\text{C})$

Working voltage/工作电压: 30V

Working current/工作电流: 1A

Insulation resistance/绝缘电阻: $5000\text{M}\Omega$

Withstand voltage/耐电压: 500V

Contact resistance/接触电阻: $\leq 30\text{m}\Omega$

Data transmission performance/数据传输性能:

USB3.0: 5Gbps (500MB/s)

Cable/配接电缆: $\phi 4.0\text{mm} - \phi 5.0\text{mm}$

2) Mechanical data/机械特性:

Vibration/振动: $10 \sim 2000\text{Hz } 147\text{m/s}^2$

Shock Resistance/冲击: 490m/s^2

Salt Spray Corrosion/盐雾: 96hr

Endurance (Shell)/机械寿命: 500

3) Other Specification/其它规格:

Contact PIN/接触件: Tin bronze plating/锡青铜镀金

Housing Material/外壳材质: Aluminum alloy electroless plating dark nickel

/铝合金镀化学哑镍

Other metal spare parts/其余金属件: Aluminum alloy nickel plating/铝合金镀镍

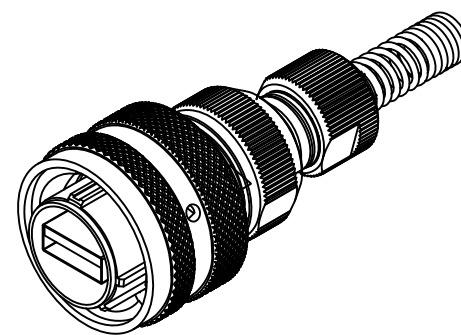
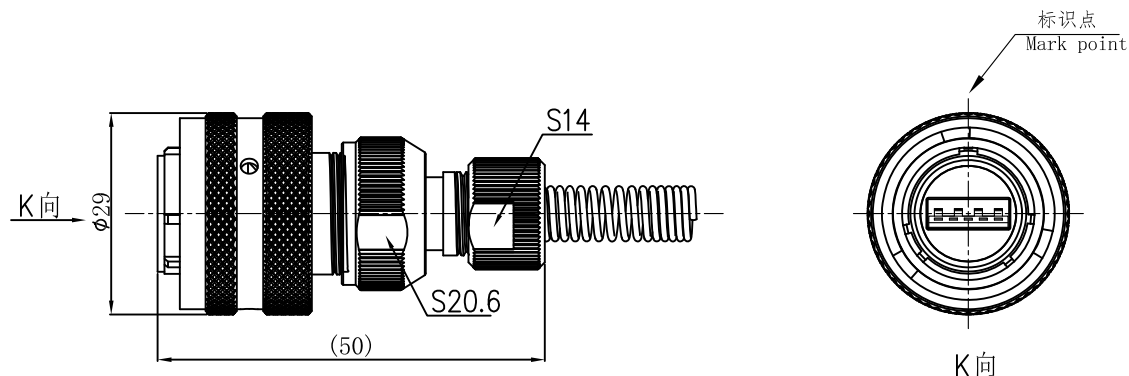
Card pin material/卡销材质: SUS316 /不锈钢316

Sealing ring material/密封圈材质: Red silicone rubber/红色硅橡胶

IP Rating/防护等级: IP68 (Interpolation state/插合状态)

*ALL MATERIALS ARE RoHS COMPLIANT/所有材料均符合RoHS要求

REV/版本	DESCRIPTION/变更内容	DATE/日期	DRAWN BY/绘图
A2	"暗镍"改成"哑镍"	2024.07.19	Z02



TOLERANCES UNLESS OTHERWISE SPECIFIED: 未标注尺寸公差: .x ± 0.5 x.' ± 1.0 ' .xx ± 0.2 .x' ± 0.5 '	THIRD ANGLE PROJECTION	Product name/产品名称	
		插头/Plug (USB3.0)	
SIZE: A4 UNITS: mm SCALE: 1: 1 SHEET: 1 OF 1		QM NO 料号 YW110Fm03S-01A ($\phi 5$)	REV/ 版本 A2
DRAWN BY: 绘图: Z02	DATE/日期 2024.07.19	DRAWING NO 图号	
CHECKED BY: 审核: PD05	DATE/日期 2024.07.19	CUSTOMER NO 客户料号	
APPROVED BY: 核准: PD03	DATE/日期 2024.07.19	 QM(Quanna) Connector Shenzhen Co. LTD 深圳市全马连接器有限公司	