

1) Product main performance/产品主要性能指标:

Operating Temperature/工作温度: -55°C~125°C
 Relative humidity/相对湿度: 90%~95% (40±2° C)
 Working voltage/工作电压: 30V
 Working current/工作电流: 1A
 Insulation resistance/绝缘电阻: 5000MΩ
 Withstand voltage/耐电压: 500V
 Contact resistance/接触电阻: ≤30mΩ
 Data transmission performance/数据传输性能:
 USB3.0: 5Gbps (500MB/s)
 Cable/配接电缆: Φ4.0mm-Φ5.0mm

2) Mechanical data/机械特性:

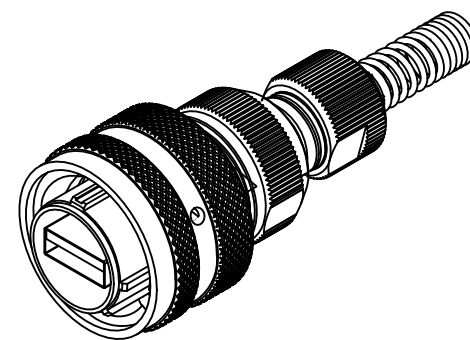
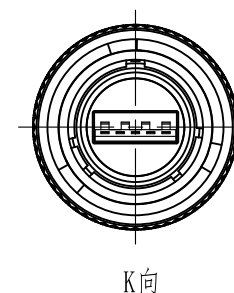
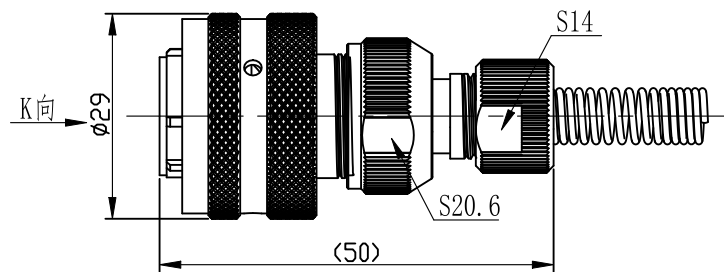
Vibration/振动: 10~2000Hz 147m/s²
 Shock Resistance/冲击: 490m/s²
 Salt Spray Corrosion/盐雾: 96hr
 Endurance (Shell)/机械寿命: 500

3) Other Specification/其它规格:

Contact PIN/接触件: Tin bronze plating/锡青铜镀金
 Housing Material/外壳材质: Aluminum alloy electroless plating bright nickel /铝合金镀化学光亮镍
 Other metal spare parts/其余金属件: Aluminum alloy nickel plating/铝合金镀镍
 Card pin material/卡销材质: SUS316 /不锈钢316
 Sealing ring material/密封圈材质: Red silicone rubber/红色硅橡胶
 IP Rating/防护等级: IP68(Interpolation state/插合状态)

*ALL MATERIALS ARE RoHS COMPLIANT/所有材料均符合RoHS要求

REV/版本	DESCRIPTION/变更内容	DATE/日期	DRAWN BY/绘图



TOLERANCES UNLESS OTHERWISE SPECIFIED: 未标注尺寸公差: .x ±0.5 x.' ±1.0' .xx ±0.2 .x' ±0.5'	THIRD ANGLE PROJECTION		Product name/产品名称 插座/Socket (USB3.0)	
	SIZE: A4 SCALE: 1: 1	UNITS: mm SHEET: 1 OF 1	QM NO 料号 YW110F03S-01A	
DRAWN BY: 绘图: PD03	DATE/日期 2022.08.19	DRAWING NO 图号	CUSTOMER NO 客户料号	REV/ 版本 A1
CHECKED BY: 审核: PD02	DATE/日期 2022.08.19	 QM(Quanna) Connector Shenzhen Co. LTD 深圳市全马连接器有限公司		
APPROVED BY: 核准: PD02	DATE/日期 2022.08.19	Web: //www.quanma-china.com/		