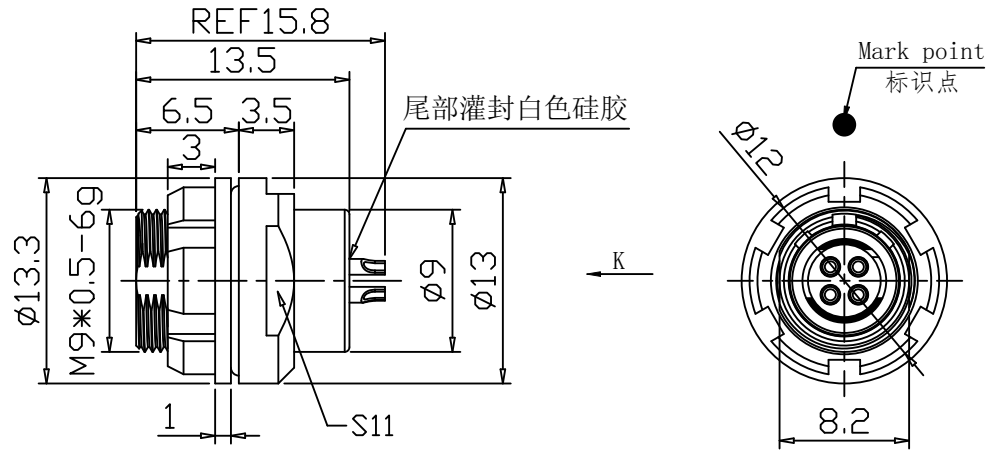


REV/版本	DESCRIPTION/变更内容	DATE/日期	DRAWN BY/绘图
A2	色环外径尺寸由13更改为13.3	2024.04.11	PD03

1) Product main performance/产品主要性能指标:

Operating Temperature/工作温度: -55℃~200℃  
Humidity(max)/最大潮湿: <=95% [at 60 deg C / 140 F]  
Shielding /屏蔽性能: 75dB(10MHz) 40dB(1GHz)  
Salt Spray Corrosion/盐雾: 96hr  
P op (max)/最大环境压力: 60 bar (870 psi)  
Insert Configuration/针芯配置: 0F.304 4Low Voltage  
Pin Size/接触件直径:  $\phi 0.7\text{mm}$   
R (Max)/接触电阻:  $\leq 12.5\text{m}\Omega$   
Insulation resistance/绝缘电阻:  $5000\text{M}\Omega$  (测试电压500V(DC))  
Withstand voltage/耐电压: 500V(AC)  
Rated Current/额定电流: 6A



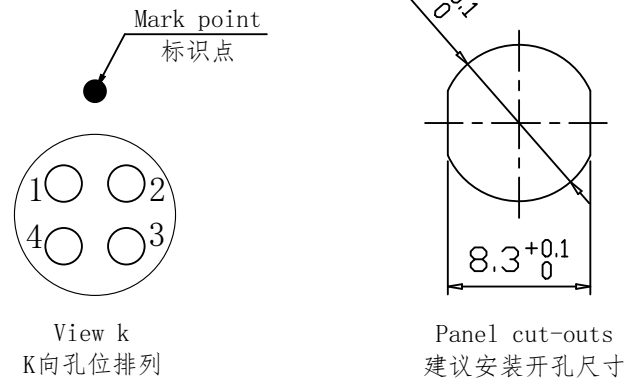
2) Mechanical data/机械特性:


Vibration/振动: 10Hz~2000Hz, 加速度 $147\text{m/s}^2$ , 瞬断 $\leq 1\text{us}$   
Shock Resistance/冲击:  $980\text{m/s}^2$ , 瞬断 $\leq 1\text{us}$   
Endurance (Shell)/机械寿命: 5000

3) Other Specification/其它规格:

Contact PIN/接触件: Gold-Tin bronze plating/锡青铜镀金  
Housing Material/外壳材质: black chrome plated brass/黄铜镀黑铬  
Other metal spare parts/其余金属件: nickel plated brass/黄铜镀镍  
Insulator material/绝缘材料: PPS  
IP Rating/防护等级: IP68(插合状态)

\*ALL MATERIALS ARE RoHS COMPLIANT/所有材料均符合RoHS要求



TOLERANCES UNLESS OTHERWISE SPECIFIED: 未标注尺寸公差: $\pm 0.1$ 未标注角度公差: $\pm 0.5^\circ$		First ANGLE PROJECTION SIZE: A4 UNITS: mm SCALE: 1: 1 SHEET: 1 OF 1	Product name/产品名称 焊接式插座	
DRAWN BY: 绘图: Pd03		DATE/日期: 2024.04.11	QM NO 料号: JX-DC-4KZ	REV/ 版本
CHECKED BY: 审核: Pd04		DATE/日期: 2024.04.11	DRAWING NO 图号	A2
APPROVED BY: 核准: Pd02		DATE/日期: 2024.04.11	 QM(Quanma) Connector Shenzhen Co. LTD 深圳市全马连接器有限公司	