

1) Product main performance/产品主要性能指标:

Operating Temperature/工作温度: $-55^{\circ}\text{C} \sim 200^{\circ}\text{C}$
 Humidity(max)/最大潮湿: $\leq 95\%$ [at 60 deg C / 140 F]
 Shielding /屏蔽性能: 75dB(10MHz) 40dB(1GHz)
 Salt Spray Corrosion/盐雾: 96hr
 P op (max)/最大环境压力: 60 bar (870 psi)
 Insert Configuration/针芯配置: 3+2 Low Voltage
 Pin Size/接触件直径: $\phi 1.3\text{mm}, \phi 3.0\text{mm}$
 R (Max)/接触电阻: $\leq 5\text{m}\Omega, \leq 1\text{m}\Omega$
 Insulation resistance/绝缘电阻: $5000\text{M}\Omega$ (测试电压500V(DC))
 Withstand voltage/耐电压: 875V(AC)
 Rated Current/额定电流: 10A, 30A
 Suitable cable diameter/适合电缆直径: $\phi 10.2 - \phi 11.0$

2) Mechanical data/机械特性:

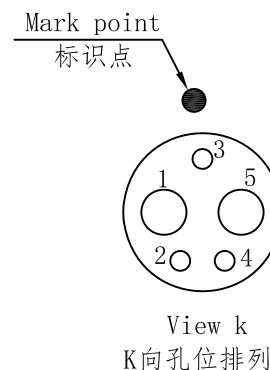
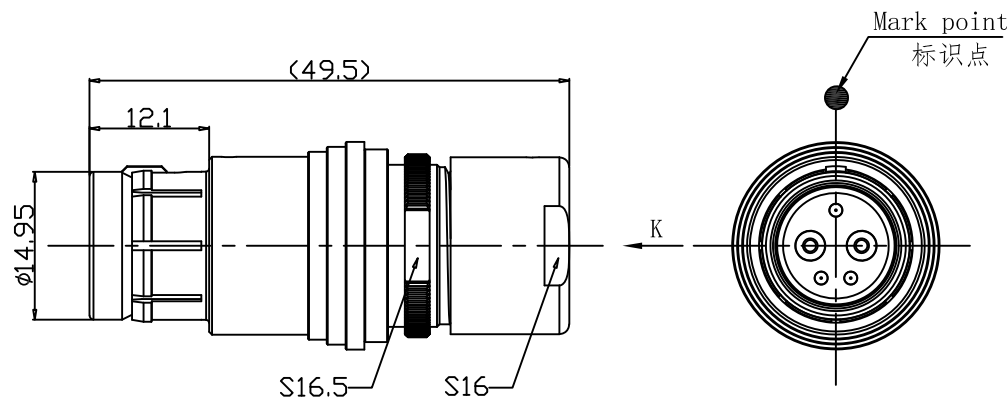
Vibration/振动: 15g[10Hz~2000Hz]
 Shock Resistance/冲击: 100g[6ms]
 Endurance (Shell)/机械寿命: 5000

3) Other Specification/其它规格:

Contact PIN/接触件: Gold-plated tin bronze/锡青铜镀金
 Housing Material/外壳材质: Black chrome plated brass/黄铜镀黑铬
 Other metal spare parts/其余金属件: nickel plated brass/黄铜镀镍
 Insulator material/绝缘材料: PPS
 IP Rating/防护等级: IP68(尾部密封防护处理)

*ALL MATERIALS ARE RoHS COMPLIANT/所有材料均符合RoHS要求

REV/版本	DESCRIPTION/变更内容	DATE/日期	DRAWN BY/绘图
REV/版本	更换图框	2024.8.23	PD05



DRAWN BY: 绘图: PD05	2024.08.23
CHECKED BY: 审核: Z01	2024.08.23
APPROVED BY: 核准: PD03	2024.08.23
GENERAL TOLERANCE (UNLESS SPECIFIED)	
$\leq 10 \pm 0.1$	
$< 10 \sim \leq 20 \pm 0.15$	
$< 20 \sim \leq 50 \pm 0.3$	
Angle $\pm 1^{\circ}$	



美易连电子科技(深圳)有限公司
 Meiyilian electronic technology(shenzhen)Co.,Ltd.

FIRST ANGLE PROJECTION	单位 UNIT: mm	名称 PART NAME	Plug/插头
	比例 SCALE: 1: 1	型号 PART NAME	
REV/版本	A2	型号 PART NAME	DB-Y-5JT