

1) Product main performance/产品主要性能指标:

Operating Temperature/工作温度:  $-55^{\circ}\text{C}\sim 125^{\circ}\text{C}$   
 Relative humidity/相对湿度:  $90\%\sim 95\%$  ( $40\pm 2^{\circ}\text{C}$ )  
 Working voltage/工作电压: 30V  
 Working current/工作电流: 1A  
 Insulation resistance/绝缘电阻:  $5000\text{M}\Omega$   
 Withstand voltage/耐电压: 500V  
 Contact resistance/接触电阻:  $\leq 30\text{m}\Omega$   
 Data transmission performance/数据传输性能:  
 USB2.0: 480Mbps (60MB/s)  
 Cable/配接电缆:  $\Phi 4.0\text{mm}-\Phi 5.0\text{mm}$

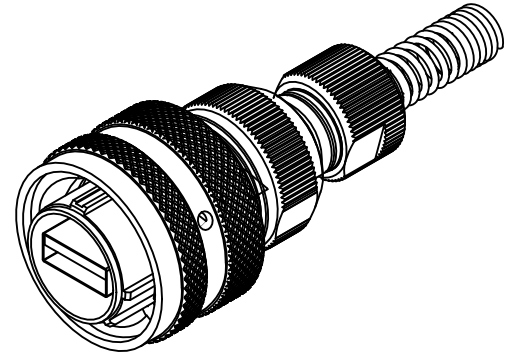
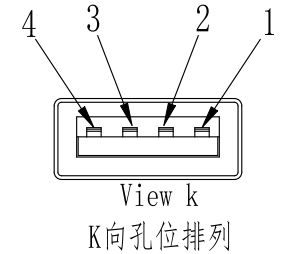
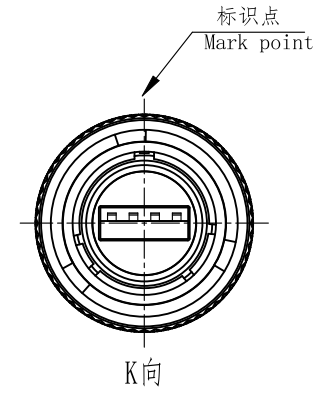
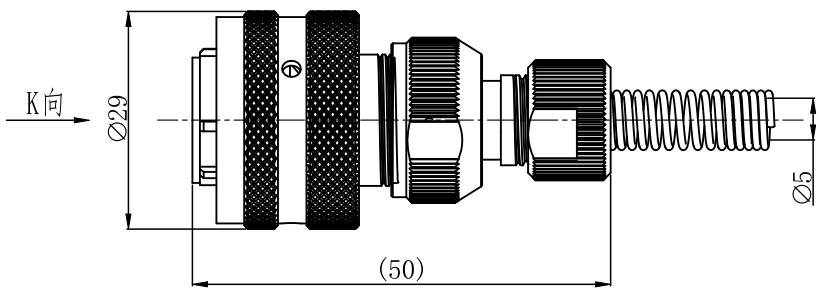
2) Mechanical data/机械特性:

Vibration/振动:  $10\sim 2000\text{Hz}$   $147\text{m/s}^2$   
 Shock Resistance/冲击:  $490\text{m/s}^2$   
 Salt Spray Corrosion/盐雾: 96hr  
 Endurance (Shell)/机械寿命: 500

3) Other Specification/其它规格:

Contact PIN/接触件: Tin bronze plating/锡青铜镀金  
 Housing Material/外壳材质: Aluminum alloy electroless plating bright nickel /铝合金镀化学光亮镍  
 Other metal spare parts/其余金属件: Aluminum alloy nickel plating/铝合金镀镍  
 Card pin material/卡销材质: SUS316 /不锈钢316  
 Sealing ring material/密封圈材质: Red silicone rubber/红色硅橡胶  
 IP Rating/防护等级: IP68(Interpolation state/插合状态)  
 \*ALL MATERIALS ARE RoHS COMPLIANT/所有材料均符合RoHS要求

REV/版本	DESCRIPTION/变更内容	DATE/日期	DRAWN BY/绘图



Pin definition/引脚定义	
编号	定义
1	VCC
2	D -
3	D +
4	GND

TOLERANCES UNLESS OTHERWISE SPECIFIED: 未标注尺寸公差: .x ±0.5 x.' ±1.0' .xx ±0.2 .x' ±0.5'	THIRD ANGLE PROJECTION 	Product name/产品名称	
		插头/Plug (USB2.0)	
DRAWN BY: 绘图: PD05	DATE/日期: 2023.02.03	QM NO 料号: YW110F02S-01A (Φ5)	REV/ 版本: A1
CHECKED BY: 审核: PD02	DATE/日期: 2023.02.03	DRAWING NO 图号 CUSTOMER NO 客户料号	
APPROVED BY: 核准: PD02	DATE/日期: 2023.02.03	 QM(Quanma) Connector Shenzhen Co. LTD 深圳市全马连接器有限公司	