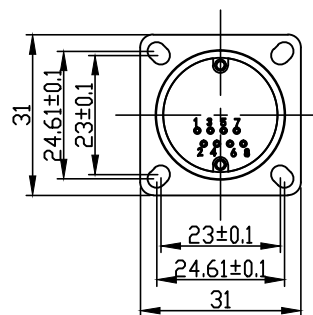


REV/版本	DESCRIPTION/变更内容	DATE/日期	DRAWN BY/绘图
A1	版面更新	20210913	pd01
A2	增加盐雾	20210923	pd01

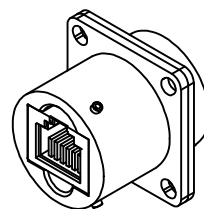
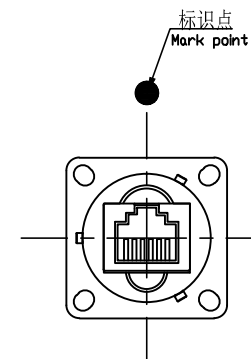
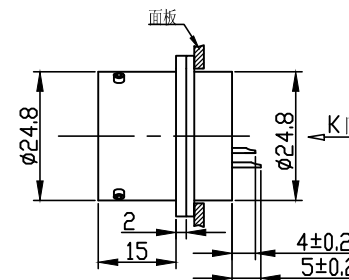
1) Product main performance/产品主要性能指标:
 Operating Temperature/工作温度: $-55^{\circ}\text{C}\sim 125^{\circ}\text{C}$ (不带 LED 指示灯)
 Relative humidity/相对湿度: $90\%\sim 95\%$ ($40\pm 2^{\circ}\text{C}$)
 Working voltage/工作电压: 150V
 Working current/工作电流: 1.5A
 Insulation resistance/绝缘电阻: 5000M Ω
 Withstand voltage/耐电压: 1000V
 Contact resistance/接触电阻: $\leq 20\text{m}\Omega$
 Data transmission performance/数据传输性能:
 RJ45: Insertion loss /插入损耗: 0.4dB(100MHz)
 Crosstalk /串 扰: 30.1dB (100MHz)
 Impedance /阻 抗: $100\pm 15\Omega$

2) Mechanical data/机械特性:
 Connection type/连接方式: Bayonet connection /卡口连接
 Vibration/振 动: $10\sim 2000\text{Hz } 147\text{m/s}^2$
 Shock Resistance/冲 击: 490m/s^2
 Salt Spray Corrosion/盐 雾: 96hr
 Endurance (Shell)/机械寿命: 500

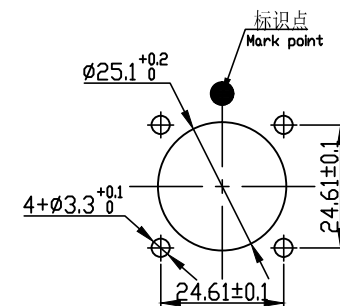
3) Other Specification/其它规格:
 Solder cup/焊线杯: Tin bronze plating/锡青铜镀金
 Housing Material/外壳材质: Aluminum alloy electroless plating bright nickel/铝合金镀化学光亮镍
 Card pin material/卡销材质: SUS316 /不锈钢316
 Insulator material/绝缘材料: PPS
 IP Rating/防护等级: IP68(Interpolation state/插合状态)
 *ALL MATERIALS ARE RoHS COMPLIANT/所有材料均符合RoHS要求



K向



Pin definition/引脚定义	
1	TX+
2	TX-
3	RX+
4	N/C(空脚)
5	N/C(空脚)
6	RX-
7	N/C(空脚)
8	N/C(空脚)



Mounting plate opening size
面板安装开孔尺寸

TOLERANCES UNLESS OTHERWISE SPECIFIED: 未标注尺寸公差:		THIRD ANGLE PROJECTION	Product name/产品名称	
.x ± 0.5	x.' ± 1.0	SIZE: A4	插座/Socket	
.xx ± 0.2	.x' ± 0.5	SCALE: 1: 1	SHEET: 1 OF 1	
DRAWN BY: 绘图:	PD01	DATE/日期:	20210923	QM NO 料号: YW120F01S
CHECKED BY: 审核:	PD02	DATE/日期:	20210923	DRAWING NO 图号
APPROVED BY: 核准:	PD02	DATE/日期:	20210923	CUSTOMER NO 客户料号: A2
			 QM(Quanna) Connector Shenzhen Co. LTD 深圳市全马连接器有限公司	