

REV/版本	DESCRIPTION/变更内容	DATE/日期	DRAWN BY/绘图

1) Product main performance/产品主要性能指标:

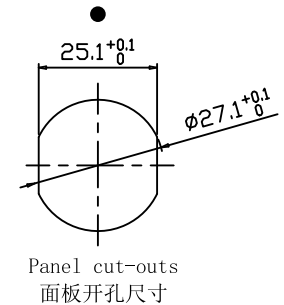
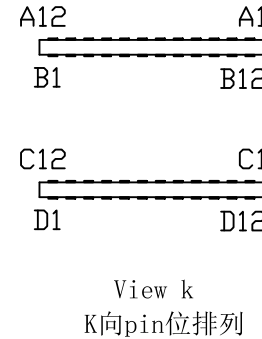
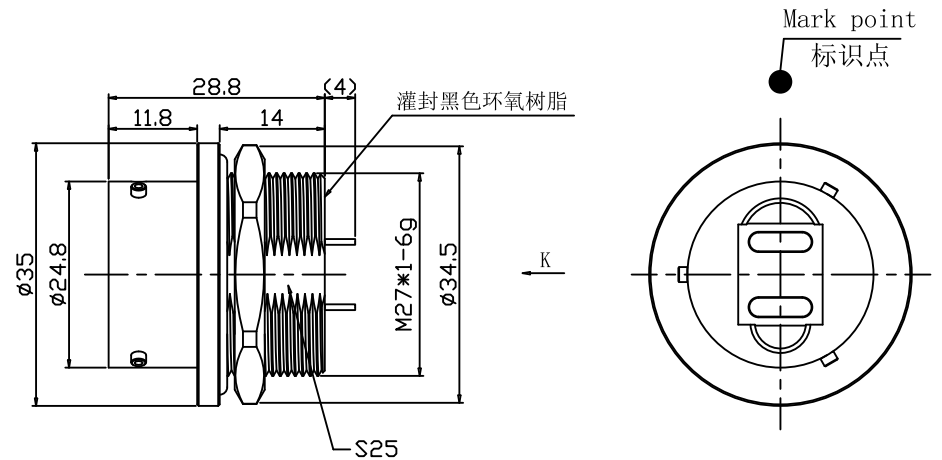
Operating Temperature/工作温度: -55°C~125°C
Humidity(max)/最大潮湿: <=95% [at 60 deg C / 140 F]
Shielding /屏蔽性能: 75dB(10MHz) 40dB(1GHz)
Salt Spray Corrosion/盐雾: 96hr
P op (max)/最大环境压力: 60 bar (870 psi)
Insert Configuration/针芯配置: 双TYPEC 24pin 公头
R (Max)/接触电阻: ≤50mΩ
Insulation resistance/绝缘电阻: ≥100MΩ
Withstand voltage/耐电压: 100V(AC)
Rated Current/额定电流: 5A for VBUS pin;1.25A for VCONN pin

2) Mechanical data/机械特性:

Vibration/振动: 10~2000Hz, 196m/s², HIT/瞬断≤1μs
Shock Resistance/冲击: 980m/s², HIT/瞬断≤1μs
Endurance (Shell)/机械寿命: 5000+


3) Other Specification/其它规格:

Contact PIN/接触件: Tin bronze plating/锡青铜镀金
Housing Material/外壳材质: Nickel plated aluminum alloy/铝合金镀亚镍
Other metal spare parts/其余金属件: nickel plated brass/黄铜镀镍
Insulator material/绝缘材料: PPS
IP Rating/防护等级: IP68(插入状态)
*ALL MATERIALS ARE RoHS COMPLIANT/所有材料均符合RoHS要求



Pin	Signal name	Pin	Signal name
A1	GND	B12	GND
A2	SSTXp1	B11	SSRXp1
A3	SSTXn1	B10	SSRXn1
A4	VBUS	B9	VBUS
A5	CC1	B8	SBU2
A6	DP1	B7	Dn2
A7	DN1	B6	Dp2
A8	SBU1	B5	CC2
A9	VBUS	B4	VBUS
A10	SSRXn2	B3	SSTXn2
A11	SSRXp2	B2	SSTXp2
A12	GND	B1	GND

Pin	Signal name	Pin	Signal name
C1	GND	D12	GND
C2	SSTXp1	D11	SSRXp1
C3	SSTXn1	D10	SSRXn1
C4	VBUS	D9	VBUS
C5	CC1	D8	SBU2
C6	DP1	D7	Dn2
C7	DN1	D6	Dp2
C8	SBU1	D5	CC2
C9	VBUS	D4	VBUS
C10	SSRXn2	D3	SSTXn2
C11	SSRXp2	D2	SSTXp2
C12	GND	D1	GND

TOLERANCES UNLESS OTHERWISE SPECIFIED: 未标注尺寸公差: ±0.1 未标注角度公差: ±0.5°	First ANGLE PROJECTION	Product name/产品名称 插座Socket
	SIZE: A4 UNITS: mm SCALE: 1: 1 SHEET: 1 OF 1	
DRAWN BY: 绘图: PD03	DATE/日期: 2022. 12. 12	Q/M NO 料号: YW125Fm04IIS1
CHECKED BY: 审核: PD02	DATE/日期: 2022. 12. 12	DRAWING NO 图号: CUSTOMER NO 客户料号: REV/ 版本: A2
APPROVED BY: 核准: PD02	DATE/日期: 2022. 12. 12	 Q/M(Quanma) Connector Shenzhen Co. LTD 深圳市全马连接器有限公司