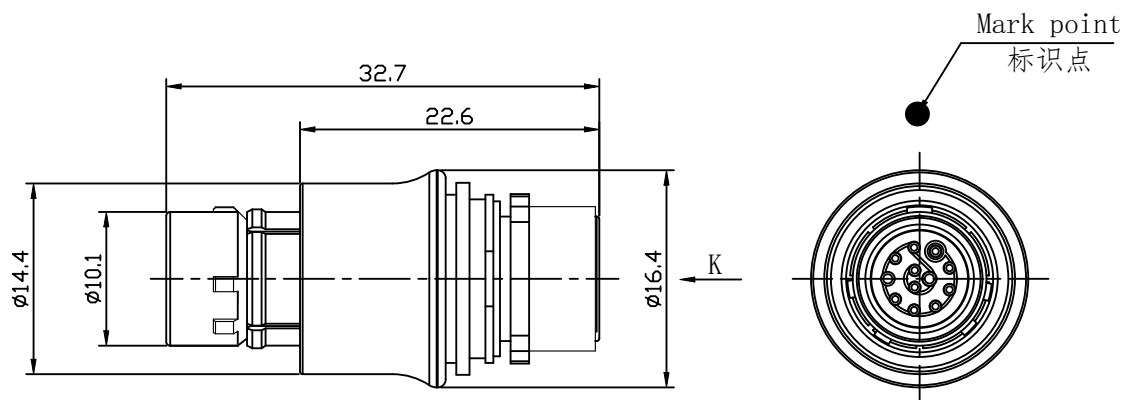


REV/版本	DESCRIPTION/变更内容	DATE/日期	DRAWN BY/绘图

1) Product main performance/产品主要性能指标:

Operating Temperature/工作温度: -55℃~200℃
 Humidity(max)/最大潮湿: <=95% [at 60 deg C / 140 F]
 Shielding /屏蔽性能: 55dB(1GHz)
 Salt Spray Corrosion/盐雾: 96hr
 P op (max)/最大环境压力: 60 bar (870 psi)
 Insert Configuration/针芯配置: 12芯 接点代码: 052
 Pin Size/接触件直径: $\phi 0.5\text{mm} + \phi 0.7\text{mm}$
 R (Max)/接触电阻: $\leq 15\text{m}\Omega$
 Differential transmission rate/差分传输速率: 5Gbps
 Insulation resistance/绝缘电阻: 5000M Ω
 Withstand voltage/耐电压: 875V
 Rated Current/额定电流: 1.8A($\phi 0.5$)、3.8A($\phi 0.7$)
 Cable AWG/配接电缆规格: $\phi 6.1 - \phi 8.0\text{mm} / 26\text{AWG}$



2) Mechanical data/机械特性:

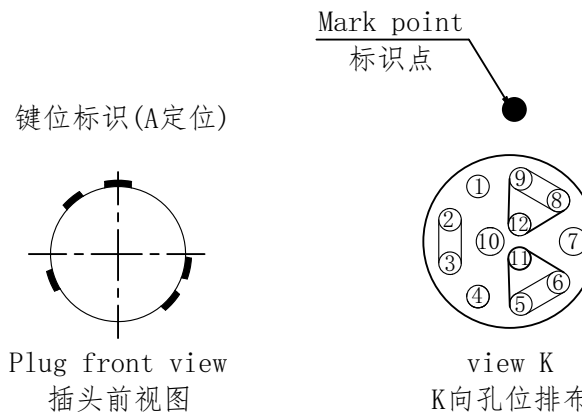
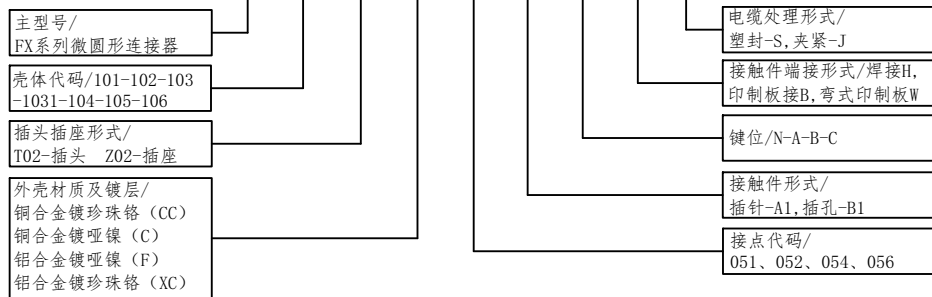
Vibration/振动: $1.0\text{G}^2/\text{Hz}$, 均方根值36.6G, $\leq 1\mu\text{s}$ 瞬断
 Shock Resistance/冲击: 加速度2940m/s², $\leq 1\mu\text{s}$ 瞬断
 Endurance (Shell)/机械寿命: 5000次

3) Other Specification/其它规格:

Contact PIN/接触件: Gold plated Tin bronze/锡青铜镀金
 Housing Material/外壳材质: Chrome plated brass/铜镀珍珠铬
 Other metal spare parts/其余金属件: Nickel plated brass/铜镀镍
 Insulator material/绝缘材料: PEEK
 IP Rating/防护等级: IP68(2m水深24h) 插合状态

*ALL MATERIALS ARE RoHS COMPLIANT/所有材料均符合RoHS要求

型号命名 → FX·1031·T02·CC·052·A4·A-H·S



孔位	信号定义
1	VBUS
4	GND
2	DATA+
3	DATA-
5	SSTX+
11	GND DRAIN
6	SSTX-
8	SSRX+
12	GND DRAIN
9	SSRX-
7	POWR
10	GND

TOLERANCES UNLESS OTHERWISE SPECIFIED: 未标注尺寸公差: ± 0.1 未标注角度公差: $\pm 0.5^\circ$	FIRST ANGLE PROJECTION	Product name/产品名称 FX1031 Plug FX1031直式插头	
	SIZE: A4 SCALE: 1: 1	UNITS: mm SHEET: 1 OF 1	QM NO 料号 FX1031T02CC052A4A-HS
DRAWN BY: 绘图: Pd04	DATE/日期 2024-04-02	DRAWING NO 图号	REV/版本 A1
CHECKED BY: 审核: Pd02	DATE/日期 2024-04-02	CUSTOMER NO 客户料号	
APPROVED BY: 核准: Pd02	DATE/日期 2024-04-02	 QM(Quanna) Connector Shenzhen Co. LTD 深圳市全马连接器有限公司	