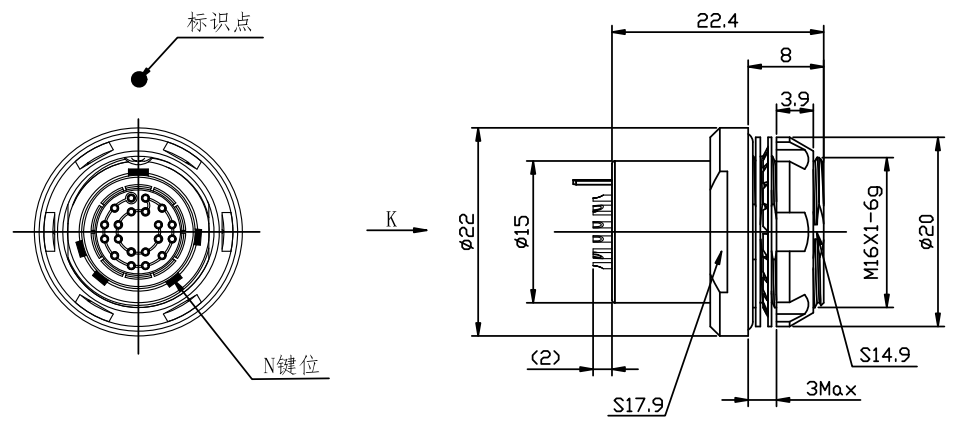


REV/版本	DESCRIPTION/变更内容	DATE/日期	DRAWN BY/绘图

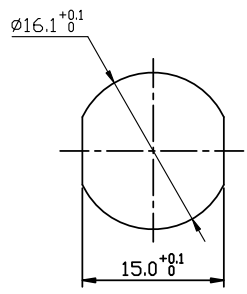
1) Product main performance/产品主要性能指标:

Operating Temperature/工作温度: -55℃~200℃
Humidity(max)/最大潮湿: <=95% [at 60 deg C / 140 F]
Shielding /屏蔽性能: 55dB(1GHz)
Salt Spray Corrosion/盐雾: 96hr
P op (max)/最大环境压力: 60 bar (870 psi)
Insert Configuration/针芯配置: 20芯 接点代码: 039
Pin Size/接触件直径: $\phi 0.5\text{mm}$
R (Max)/接触电阻: $\leq 15\text{m}\Omega$
Differential transmission rate/差分传输速率: 250Mbps
Insulation resistance/绝缘电阻: 5000M Ω
Withstand voltage/耐电压: 750V
Rated Current/额定电流: 1.8A

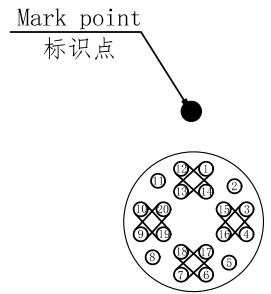


2) Mechanical data/机械特性:

Vibration/振动: 1.0G²/Hz, 均方根值36.6G, $\leq 1\mu\text{s}$ 瞬断
Shock Resistance/冲击: 加速度2940m/s², $\leq 1\mu\text{s}$ 瞬断
Endurance (Shell)/机械寿命: 5000次



Panel cut-outs
建议安装开孔尺寸



view K
K向孔位排布

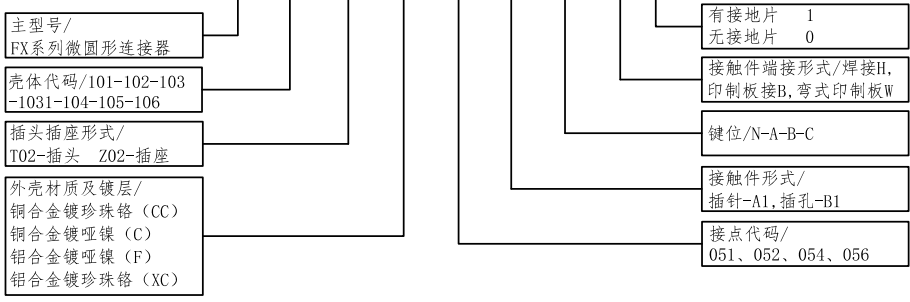
3) Other Specification/其它规格:

Contact PIN/接触件: Gold plated Tin bronze/锡青铜镀金
Housing Material/外壳材质: Dark nickel plated brass/铜镀哑镍
Other metal spare parts/其余金属件: Nickel plated brass/铜镀镍
Insulator material/绝缘材料: PEEK
IP Rating/防护等级: IP68(2m水深24h) 插合状态
*ALL MATERIALS ARE RoHS COMPLIANT/所有材料均符合RoHS要求

孔位	信号定义
1	1-DATA1+
13	1-DATA1-
12	1-DATA2+

孔位	信号定义	孔位	信号定义
14	1-DATA2-	3	1-DATA3+
9	2-DATA3+	16	1-DATA3-
20	2-DATA3-	4	1-DATA4+
10	2-DATA4+	15	1-DATA4-
19	2-DATA4-	6	2-DATA1+
2	Signal or Powr	18	2-DATA1-
5	Signal or Powr	7	2-DATA2+
8	Signal or Powr	17	2-DATA2-
11	Signal or Powr		

型号命名 → FX · 104 · Z02 · C · 039 · B1 · N - H 1



TOLERANCES UNLESS OTHERWISE SPECIFIED: 未标注尺寸公差: ± 0.1 未标注角度公差: $\pm 0.5^\circ$	FIRST ANGLE PROJECTION	Product name/产品名称 FX104 Socket FX104固定式插座
	SIZE: A4	
SCALE: 1: 1	SHEET: 1 OF 1	
DRAWN BY: 绘图: PD04	DATE/日期: 2022-12-20	Q/M NO 料号: FX104Z02C039B1N-H1
CHECKED BY: 审核: PD02	DATE/日期: 2022-12-20	DRAWING NO 图号: A1
APPROVED BY: 核准: PD02	DATE/日期: 2022-12-20	CUSTOMER NO 客户料号: A1

Product name/产品名称
FX104 Socket
FX104固定式插座

Q/M NO
料号: FX104Z02C039B1N-H1

DRAWING NO
图号: A1

CUSTOMER NO
客户料号: A1

QM (Quanma) Connector Shenzhen Co. LTD
深圳市全马连接器有限公司