

1) Product main performance/产品主要性能指标:

Operating Temperature/工作温度:  $-40^{\circ}\text{C}\sim 85^{\circ}\text{C}$  (不带 LED指示灯)

Relative humidity/相对湿度:  $90\sim 95\%$  ( $40\pm 2^{\circ}\text{C}$ )

Working voltage/工作电压: 150V

Working current/工作电流: 1.5A

Insulation resistance/绝缘电阻: 5000M $\Omega$

Withstand voltage/耐压: 1000V

Contact resistance/接触电阻:  $\leq 20\text{m}\Omega$

Data transmission performance/数据传输性能:

RJ45: Insertion loss /插入损耗: 0.4dB(100MHz)

Crosstalk /串 扰: 30.1dB (100MHz)

Impedance /阻 抗:  $100\pm 15\Omega$

2) Mechanical data/机械特性:

Connection type/连接方式: Bayonet connection/卡口连接

Vibration/振 动:  $10\sim 2000\text{Hz}$   $147\text{m/s}^2$

Shock Resistance/冲 击:  $490\text{m/s}^2$

Salt Spray Corrosion/盐 雾: 96hr

Endurance (Shell)/机械寿命: 500

3) Other Specification/其它规格:

Solder cup/焊线杯: Tin bronze plating/锡青铜镀金

Housing Material/外壳材质: Aluminum alloy electroless plating

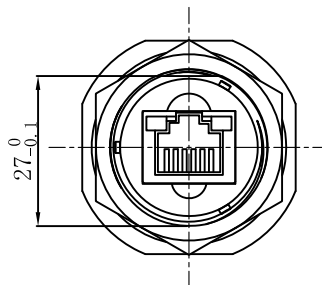
dark nickel/铝合金镀化学哑镍

Card pin material/卡销材质: SUS316 /不锈钢316

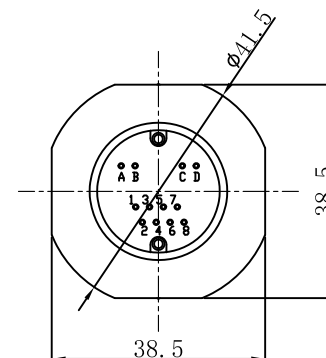
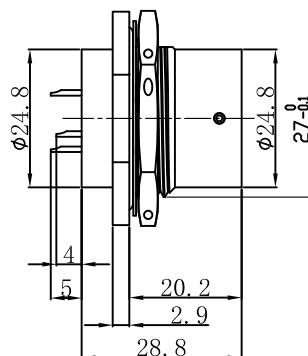
Insulator material/绝缘材料: PPS

IP Rating/防护等级: IP68(Interpolation state/插合状态)

\*ALL MATERIALS ARE RoHS COMPLIANT/所有材料均符合RoHS要求



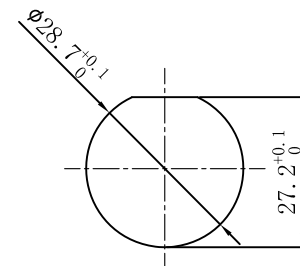
K向



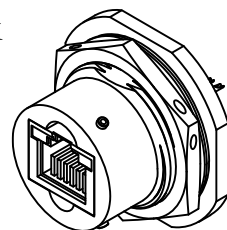
K向

(Infuse/注: Maximum panel thickness 3mm/最大面板厚度3mm)

Pin definition/引脚定义			
1	TX+	A	-
2	TX-	B	+
3	RX+	C	-
4	N/C(空脚)	D	+
5	N/C(空脚)		
6	RX-		
7	N/C(空脚)		
8	N/C(空脚)		



Mounting plate opening size  
面板安装开孔尺寸



TOLERANCES UNLESS OTHERWISE SPECIFIED: 未标注尺寸公差:		THIRD ANGLE PROJECTION		Product name/产品名称	
.x $\pm 0.5$	x.' $\pm 1.0$	SIZE: A4	UNITS: mm	插座/Socket	
.xx $\pm 0.2$	.x' $\pm 0.5$	SCALE: 1: 1	SHEET: 1 OF 1		
DRAWN BY: 绘图:	Z02	DATE/日期:	2024.07.19	QM NO 料号:	YW123Fm01S
CHECKED BY: 审核:	PD05	DATE/日期:	2024.07.19	DRAWING NO 图号:	
APPROVED BY: 核准:	PD03	DATE/日期:	2024.07.19	CUSTOMER NO 客户料号:	A2

Product name/产品名称		REV/版本
插座/Socket		
QM NO 料号:	YW123Fm01S	REV/版本
DRAWING NO 图号:		
CUSTOMER NO 客户料号:		A2
QM(Quanna) Connector Shenzhen Co. LTD 深圳市全马连接器有限公司		