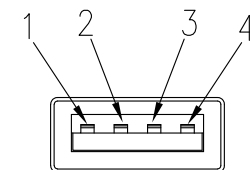
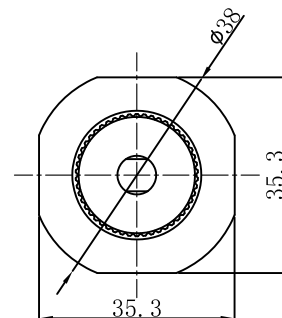
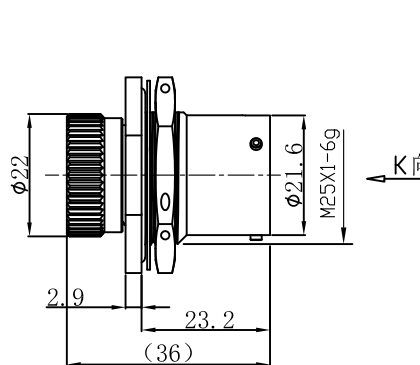
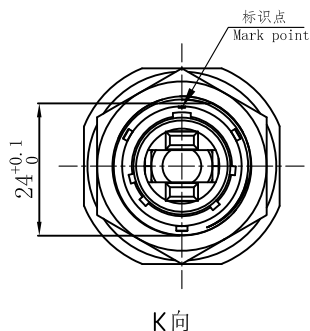


1) Product main performance/产品主要性能指标:  
 Operating Temperature/工作温度:  $-55^{\circ}\text{C} \sim 125^{\circ}\text{C}$   
 Relative humidity/相对湿度:  $90\% \sim 95\%$  ( $40 \pm 2^{\circ}\text{C}$ )  
 Working voltage/工作电压: 30V  
 Working current/工作电流: 1A  
 Insulation resistance/绝缘电阻:  $5000\text{M}\Omega$   
 Withstand voltage/耐压: 500V  
 Contact resistance/接触电阻:  $\leq 30\text{m}\Omega$   
 Data transmission performance/数据传输性能:  
 USB2.0: 480Mbps (60MB/s)

2) Mechanical data/机械特性:  
 Vibration/振动:  $10 \sim 2000\text{Hz}$   $147\text{m/s}^2$   
 Shock Resistance/冲击:  $490\text{m/s}^2$   
 Salt Spray Corrosion/盐雾: 96hr  
 Endurance (Shell)/机械寿命: 500

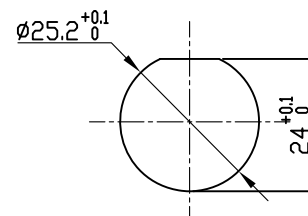
3) Other Specification/其它规格:  
 Housing Material/外壳材质: Aluminum alloy electroless plating bright nickel / 铝合金镀化学光亮镍  
 Other metal spare parts/其余金属件: Aluminum alloy nickel plating/铝合金镀镍  
 Card pin material/卡销材质: SUS316 / 不锈钢316  
 Sealing ring material/密封圈材质: Red silicone rubber/红色硅橡胶  
 IP Rating/防护等级: IP68 (Interpolation state/插合状态)  
 \*ALL MATERIALS ARE RoHS COMPLIANT/所有材料均符合RoHS要求

REV/版本	DESCRIPTION/变更内容	DATE/日期	DRAWN BY/绘图
A3	增加USB2.0孔位排列图	2024.7.17	PD05



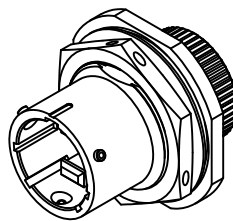
K向孔位排列

(Infuse/注: Maximum panel thickness 3mm/最大面板厚度3mm)



Mounting plate opening size  
面板安装开孔尺寸

Pin definition/引脚定义	
编号	定义
1	VCC
2	D -
3	D +
4	GND



TOLERANCES UNLESS OTHERWISE SPECIFIED: 未标注尺寸公差:		THIRD ANGLE PROJECTION		Product name/产品名称	
.x $\pm 0.5$	x.' $\pm 1.0$	SIZE: A4	UNITS: mm	插座/Socket(USB2.0)	
.xx $\pm 0.2$	.x' $\pm 0.5$	SCALE: 1: 1	SHEET: 1 OF 1		
DRAWN BY: 绘图: PD05		DATE/日期: 2024.7.17		QM NO 料号: YW123F02S	
CHECKED BY: 审核: Z01		DATE/日期: 2024.7.17		DRAWING NO 图号	
APPROVED BY: 核准: PD03		DATE/日期: 2024.7.17		CUSTOMER NO 客户料号	

Product name/产品名称		REV/ 版本
插座/Socket(USB2.0)		
DRAWING NO 图号		A3
CUSTOMER NO 客户料号		
 QM(Quanna) Connector Shenzhen Co. LTD 深圳市全马连接器有限公司		