

REV/版本	DESCRIPTION/变更内容	DATE/日期	DRAWN BY/绘图
A2	焊杯漏出长度3.1调整为3.8	2024-06-13	Pd04

1) Product main performance/产品主要性能指标:

Operating Temperature/工作温度: $-55^{\circ}\text{C} \sim 200^{\circ}\text{C}$
Humidity(max)/最大潮湿: $\leq 95\%$ [at 60 deg C / 140 F]
Shielding /屏蔽性能: 75dB(10MHz) 40dB(1GHz)
Salt Spray Corrosion/盐雾: 96hr
P op (max)/最大环境压力: 60 bar (870 psi)
Insert Configuration/针芯配置: 3+2 Low Voltage
Pin Size/接触件直径: $\phi 1.3\text{mm}, \phi 3.0\text{mm}$
R (Max)/接触电阻: $\leq 5\text{m}\Omega, \leq 1\text{m}\Omega$
Insulation resistance/绝缘电阻: 5000M Ω (测试电压500V(DC))
Withstand voltage/耐电压: 875V(AC)
Rated Current/额定电流: 10A, 30A

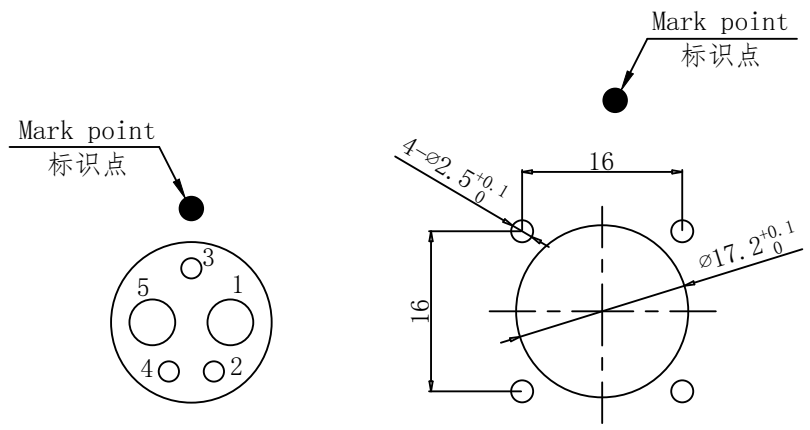
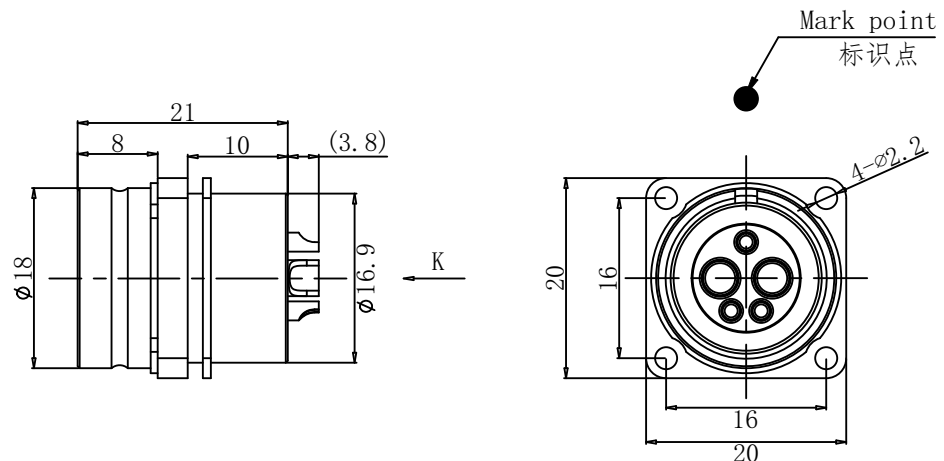
2) Mechanical data/机械特性:

Vibration/振动: 15g[10Hz~2000Hz]
Shock Resistance/冲击: 100g[6ms]
Endurance (Shell)/机械寿命: 5000次

3) Other Specification/其它规格:

Contact PIN/接触件: Gold-plated tin bronze/锡青铜镀金
Housing Material/外壳材质: Black chrome plated brass/黄铜镀黑铬
Other metal spare parts/其余金属件: nickel plated brass/黄铜镀镍
Insulator material/绝缘材料: PPS
IP Rating/防护等级: IP68(插入状态)

*ALL MATERIALS ARE RoHS COMPLIANT/所有材料均符合RoHS要求



View k
K向孔位排列

Panel cut-outs
面板开孔尺寸

TOLERANCES UNLESS OTHERWISE SPECIFIED: 未标注尺寸公差: ± 0.1 未标注角度公差: $\pm 0.5^{\circ}$	First ANGLE PROJECTION	Product name/产品名称 Socket/插座	
	SIZE: A4	UNITS: mm	Q.M NO 料号 DB-Y-5KZ DRAWING NO 图号 CUSTOMER NO 客户料号
	SCALE: 1: 1	SHEET: 1 OF 1	
DRAWN BY: 绘图: Pd04	DATE/日期: 2024-06-13	REV/ 版本 A2	 Q.M(Quanma) Connector Shenzhen Co. LTD 深圳市全马连接器有限公司
CHECKED BY: 审核: Pd02	DATE/日期: 2024-06-13		
APPROVED BY: 核准: Pd02	DATE/日期: 2024-06-13		