

REV/版本	DESCRIPTION/变更内容	DATE/日期	DRAWN BY/绘图

1. Product main performance/产品主要性能指标:

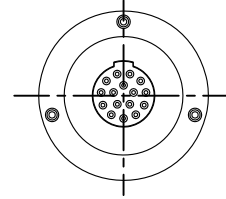
Operating Temperature/工作温度: -55°C~125°C
Humidity(max)/最大潮湿: <=95% [at 60 deg C / 140 F]
Shielding /屏蔽性能: 75dB(10MHz) 40dB(1GHz)
Salt Spray Corrosion/盐雾: 96hr
P op (max)/最大环境压力: 60 bar (870 psi)
Insert Configuration/针芯配置: 0G.316 16Low Voltage
Pin Size/接触件直径: $\phi 0.3\text{mm}$
R (Max)/接触电阻: $\leq 20\text{m}\Omega$
Insulation resistance/绝缘电阻: 5000M Ω (测试电压500V(DC))
Withstand voltage/耐电压: 750V(AC)
Rated Current/额定电流: 1.0A

2. Mechanical data/机械特性:

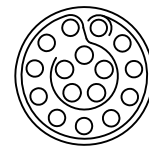
Vibration/振动: 15g[10Hz~2000Hz]
Shock Resistance/冲击: 100g[6ms]
Endurance (Shell)/机械寿命: 5000+

3. Other Specification/其它规格:

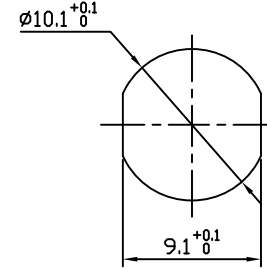
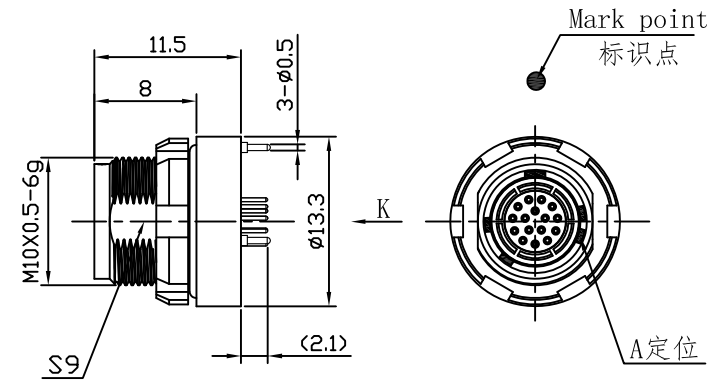
Contact PIN/接触件: gold plated brass/黄铜镀金
Housing Material/外壳材质: gun color plated brass/黄铜镀枪色
Other metal spare parts/其余金属件: nickel plated brass/黄铜镀镍
Insulator material/绝缘材料: PPS
IP Rating/防护等级: IP68
*ALL MATERIALS ARE RoHS COMPLIANT/所有材料均符合RoHS要求



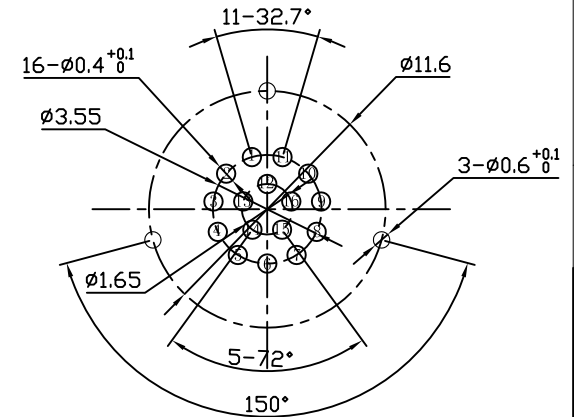
Mark point
标识点




View k
K向孔位排列



Panel cut-outs
建议安装开孔尺寸



PCB cut-outs
PCB板开孔尺寸

TOLERANCES UNLESS OTHERWISE SPECIFIED: 未标注尺寸公差: ± 0.1 未标注角度公差: $\pm 0.5'$	First ANGLE PROJECTION	Product name/产品名称	
	SIZE: A4 SCALE: 1: 1	UNITS: mm SHEET: 1 OF 1	0G-ZLA/0G直式插座
DRAWN BY: 绘图: Pd04	DATE/日期: 2021-06-28	QM NO 料号: ZLA. 0G. 316. GLN	REV/ 版本 A1
CHECKED BY: 审核: Pd02	DATE/日期: 2021-06-28	DRAWING NO 图号 CUSTOMER NO 客户料号	
APPROVED BY: 核准: Pd02	DATE/日期: 2021-06-28	 QM (Quanma) Connector Shenzhen Co. LTD 深圳市全马连接器有限公司	