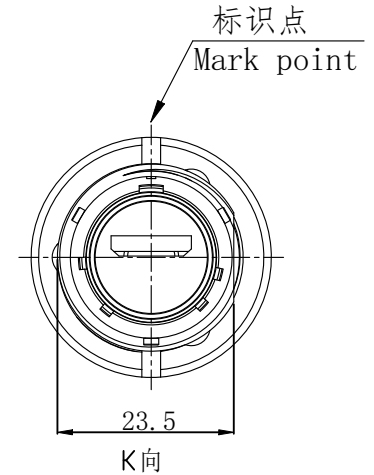
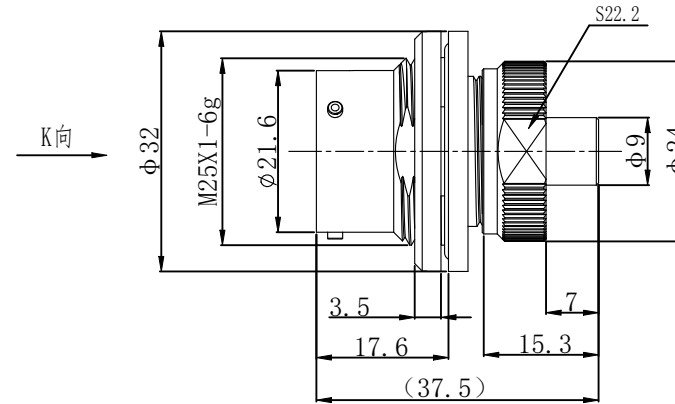


1) Product main performance/产品主要性能指标:  
 Operating Temperature/工作温度: -55°C~125°C  
 Relative humidity/相对湿度: 90%~95% (40±2° C)  
 Working voltage/工作电压: 5V  
 Working current/工作电流: 50mA  
 Insulation resistance/绝缘电阻: 5000MΩ  
 Data transmission performance/数据传输性能: HDMI: 4.5GB/s  
 Cable/配接电缆: φ5.2mm-φ6.3mm

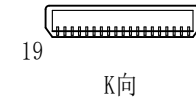
2) Mechanical data/机械特性:  
 Connection type/连接方式: Bayonet connection/卡口连接  
 Vibration/振动: 10~2000Hz 147m/s<sup>2</sup>  
 Shock Resistance/冲击: 490m/s<sup>2</sup>  
 Salt Spray Corrosion/盐雾: 96hr  
 Endurance (Shell)/机械寿命: 500

3) Other Specification/其它规格:  
 Housing Material/外壳材质: SUS316  
 Other metal spare parts/其余金属件: Aluminum alloy nickel plating/铝合金镀镍  
 Card pin material/卡销材质: SUS316 /不锈钢316  
 IP Rating/防护等级: IP68(Interpolation state/插合状态)  
 \*ALL MATERIALS ARE RoHS COMPLIANT/所有材料均符合RoHS要求

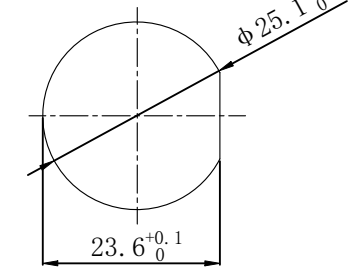
REV/版本	DESCRIPTION/变更内容	DATE/日期	DRAWN BY/绘图
A2	内部材质沿用旧物料(铝合金)	2024.01.29	PD03



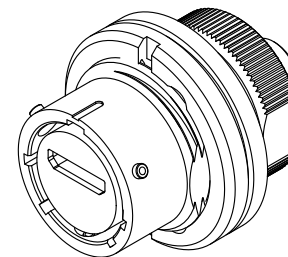
Pin definition/引脚定义	Wire/电线
1	TMS 数据2 (屏蔽线) B
2	TMS 数据2+ A
3	TMS 数据2- A
4	TMS 数据1 (屏蔽线) B
5	TMS 数据1+ A
6	TMS 数据1- A
7	TMS 数据0 (屏蔽线) B
8	TMS 数据0+ A
9	TMS 数据0- A
10	TMS 时钟信号(屏蔽线) B
11	TMS 时钟信号+ A
12	TMS 时钟信号- A
13	DDC/CEC 接地 DDC/CEC 接地
14	CEC CEC
15	SCL SCL
16	SDA SDA
17	Reserver(N.C.) Reserver(N.C.)
18	+5V 5V
19	热插拔检测 C



(Infuse/注: Maximum panel thickness 3mm/最大面板厚度3mm)



Mounting plate opening size  
 面板安装开孔尺寸



TOLERANCES UNLESS OTHERWISE SPECIFIED: 未标注尺寸公差:		THIRD ANGLE PROJECTION		Product name/产品名称	
.x ±0.5	x.* ±1.0*	SIZE: A4	UNITS: mm	插座/Socket	
.xx ±0.2	.x.* ±0.5*	SCALE: 1: 1	SHEET: 1 OF 1		
DRAWN BY: 绘图:	PD03	DATE/日期:	2024.01.29	QM NO 料号	YW123E09S-A1
CHECKED BY: 审核:	PD02	DATE/日期:	2024.01.29	DRAWING NO 图号	
APPROVED BY: 核准:	PD02	DATE/日期:	2024.01.29	CUSTOMER NO 客户料号	
				 QM(Quanma) Connector Shenzhen Co. LTD 深圳市全马连接器有限公司	