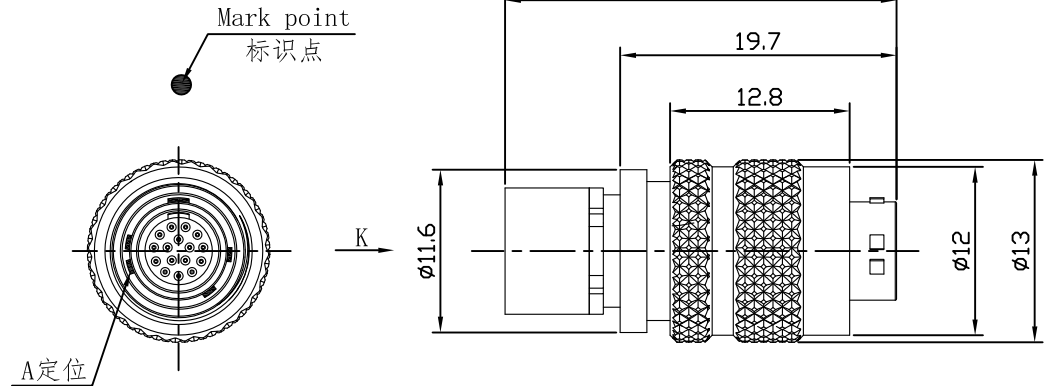


REV/版本	DESCRIPTION/变更内容	DATE/日期	DRAWN BY/绘图

### 1. Product main performance/产品主要性能指标:

Operating Temperature/工作温度: -55°C~125°C  
Humidity(max)/最大潮湿: <=95% [at 60 deg C / 140 F]  
Shielding /屏蔽性能: 75dB(10MHz) 40dB(1GHz)  
Salt Spray Corrosion/盐雾: 96hr  
P op (max)/最大环境压力: 60 bar (870 psi)  
Insert Configuration/针芯配置: 0G.316 16Low Voltage  
Pin Size/接触件直径:  $\phi 0.3\text{mm}$   
R (Max)/接触电阻:  $\leq 20\text{m}\Omega$   
Insulation resistance/绝缘电阻: 5000M $\Omega$  (测试电压500V(DC))  
Withstand voltage/耐电压: 750V(AC)  
Rated Current/额定电流: 1.0A

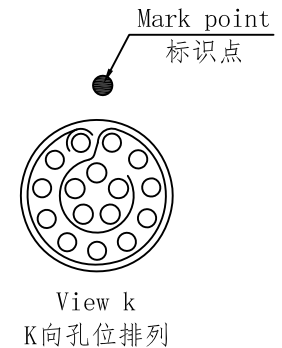



### 2. Mechanical data/机械特性:

Vibration/振动: 15g[10Hz~2000Hz]  
Shock Resistance/冲击: 100g[6ms]  
Endurance (Shell)/机械寿命: 5000+

### 3. Other Specification/其它规格:

Contact PIN/接触件: gold plated brass/黄铜镀金  
Housing Material/外壳材质: gun color plated brass/黄铜镀枪色  
Other metal spare parts/其余金属件: nickel plated brass/黄铜镀镍  
Insulator material/绝缘材料: PPS  
IP Rating/防护等级: IP68  
\*ALL MATERIALS ARE RoHS COMPLIANT/所有材料均符合RoHS要求



TOLERANCES UNLESS OTHERWISE SPECIFIED: 未标注尺寸公差: $\pm 0.1$ 未标注角度公差: $\pm 0.5^\circ$	First ANGLE PROJECTION	Product name/产品名称	
	SIZE: A4 UNITS: mm	0G-TLA/0G直式插头	
	SCALE: 1: 1 SHEET: 1 OF 1		
DRAWN BY: 绘图: Pd04	DATE/日期: 2021-06-25	QM NO 料号: TLA. 0G. 316. GLA-1	REV/ 版本 A1
CHECKED BY: 审核: Pd02	DATE/日期: 2021-06-25	DRAWING NO 图号 CUSTOMER NO 客户料号	
APPROVED BY: 核准: Pd02	DATE/日期: 2021-06-25	 QM (Quanna) Connector Shenzhen Co. LTD 深圳市全马连接器有限公司	