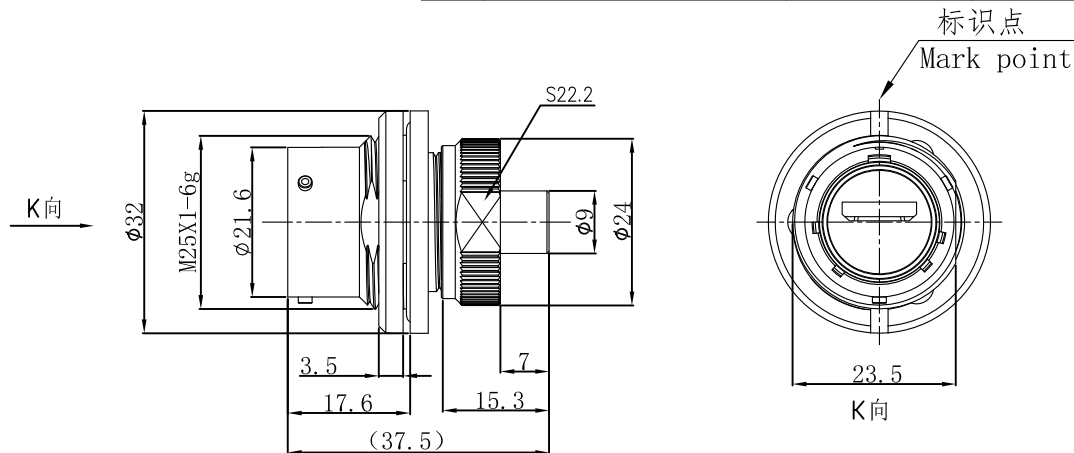


1) Product main performance/产品主要性能指标:
 Operating Temperature/工作温度: -55°C~125°C
 Relative humidity/相对湿度: 90%~95% (40±2° C)
 Working voltage/工作电压: 5V
 Working current/工作电流: 50mA
 Insulation resistance/绝缘电阻: 5000MΩ
 Data transmission performance/数据传输性能:
 HDMI: 4.5GB/s
 Cable/配接电缆: φ5.2mm-φ6.3mm

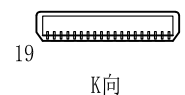
2) Mechanical data/机械特性:
 Connection type/连接方式: Bayonet connection/卡口连接
 Vibration/振动: 10~2000Hz 147m/s²
 Shock Resistance/冲击: 490m/s²
 Salt Spray Corrosion/盐雾: 96hr
 Endurance (Shell)/机械寿命: 500

3) Other Specification/其它规格:
 Housing Material/外壳材质:
 Aluminum alloy electroless plating dark nickel/
 铝合金镀化学哑镍
 Card pin material/卡销材质: SUS316 /不锈钢316
 IP Rating/防护等级: IP68(Interpolation state/插合状态)
 *ALL MATERIALS ARE RoHS COMPLIANT/所有材料均符合RoHS要求

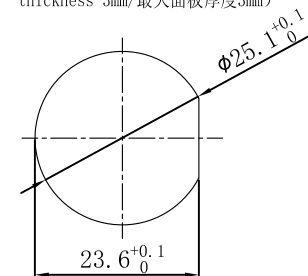
REV/版本	DESCRIPTION/变更内容	DATE/日期	DRAWN BY/绘图
A4	修正尺寸	2023.2.28	PD05
A5	“暗银”改成“哑镍”	2024.07.19	Z02



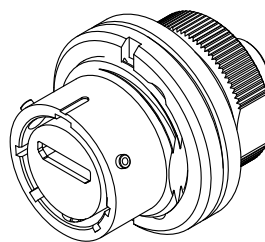
Pin definition/引脚定义	Wire/电线
1 TMS 数据2 (屏蔽线)	B
2 TMS 数据2+	A
3 TMS 数据2-	A
4 TMS 数据1 (屏蔽线)	B
5 TMS 数据1+	A
6 TMS 数据1-	A
7 TMS 数据0 (屏蔽线)	B
8 TMS 数据0+	A
9 TMS 数据0-	A
10 TMS 时钟信号 (屏蔽线)	B
11 TMS 时钟信号+	A
12 TMS 时钟信号-	A
13 DDC/CFC 接地	DDC/CFC 接地
14 CEC	CEC
15 SCL	SCL
16 SDA	SDA
17 Reserver (N.C.)	Reserver (N.C.)
18 +5V	5V
19 热插拔检测	C



(Infuse/注: Maximum panel thickness 3mm/最大面板厚度3mm)



Mounting plate opening size
 面板安装开孔尺寸



TOLERANCES UNLESS OTHERWISE SPECIFIED: 未标注尺寸公差:	THIRD ANGLE PROJECTION		Product name/产品名称
	SIZE: A4	UNITS: mm	
.x ±0.5 x.* ±1.0	SCALE: 1: 1	SHEET: 1 OF 1	插座/Socket
.xx ±0.2 x.* ±0.5			
DRAWN BY: 绘图: Z02	DATE/日期: 2024.07.19	QM NO 料号: YW123Fm09S-A1	REV/ 版本: A5
CHECKED BY: 审核: PD05	DATE/日期: 2024.07.19	DRAWING NO 图号	
APPROVED BY: 核准: PD03	DATE/日期: 2024.07.19	CUSTOMER NO 客户料号	

QM
Connector System
 QM(Quanma) Connector Shenzhen Co. LTD
 深圳市全马连接器有限公司