

REV/版本	DESCRIPTION/变更内容	DATE/日期	DRAWN BY/绘图

1) Product main performance/产品主要性能指标:

Operating Temperature/工作温度: -55°C~200°C
Humidity(max)/最大潮湿: <=95% [at 60 deg C / 140 F]
Shielding /屏蔽性能: 55dB(1GHz)
Salt Spray Corrosion/盐雾: 96hr
P op (max)/最大环境压力: 60 bar (870 psi)
Insert Configuration/针芯配置: 8芯 接点代码: 054
Pin Size/接触件直径: $\phi 0.5\text{mm} + \phi 0.7\text{mm}$
R (Max)/接触电阻: $\leq 15\text{m}\Omega$
Differential transmission rate/差分传输速率: 480Mbps
Insulation resistance/绝缘电阻: 5000M Ω
Withstand voltage/耐电压: 875V
Rated Current/额定电流: 1.8A($\phi 0.5$)、3.8A($\phi 0.7$)

2) Mechanical data/机械特性:

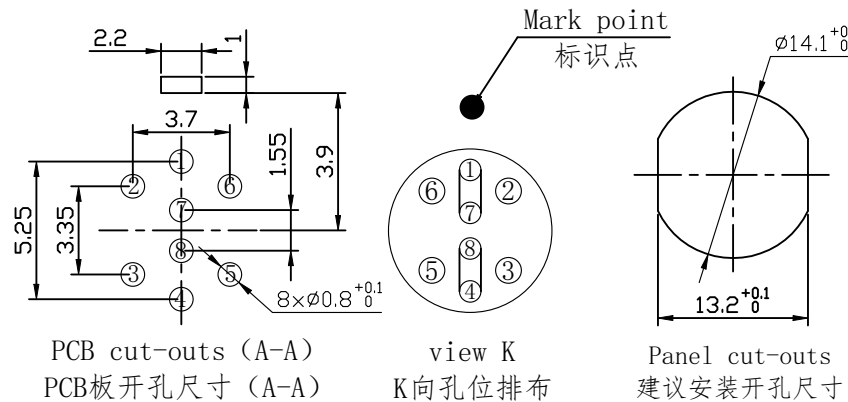
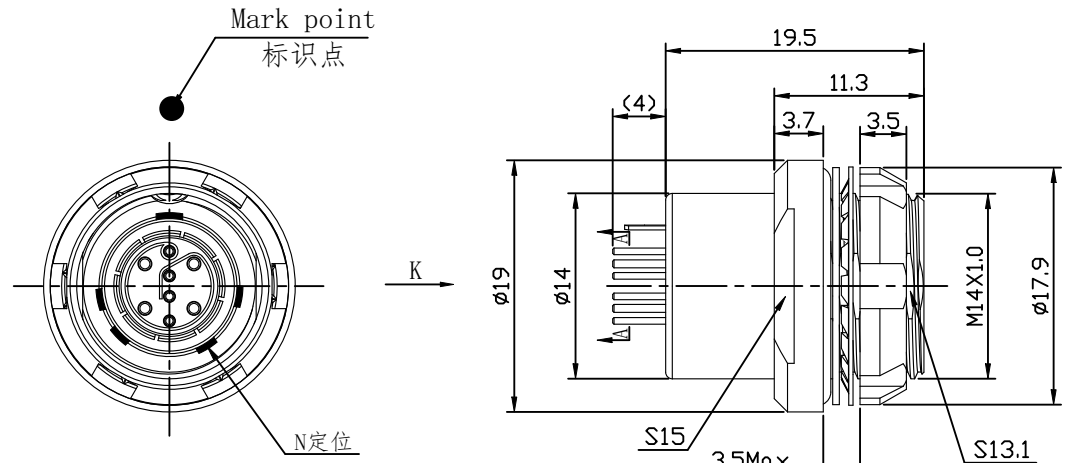
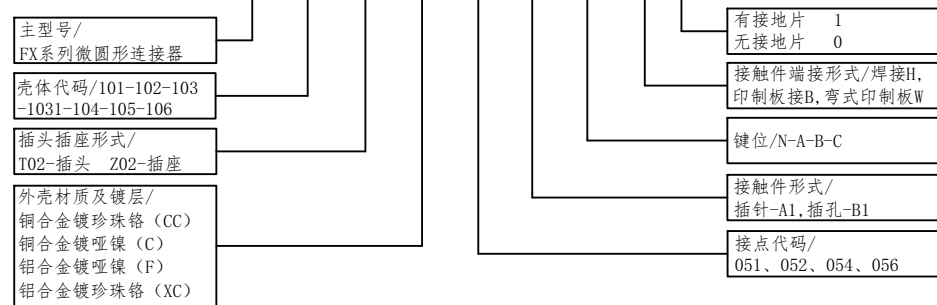
Vibration/振动: $1.0\text{G}^2/\text{Hz}$, 均方根值36.6G, $\leq 1\mu\text{s}$ 瞬断
Shock Resistance/冲击: 加速度2940m/s², $\leq 1\mu\text{s}$ 瞬断
Endurance (Shell)/机械寿命: 5000次

3) Other Specification/其它规格:

Contact PIN/接触件: Gold plated Tin bronze/锡青铜镀金
Housing Material/外壳材质: Chrome plated brass/铜镀珍珠铬
Other metal spare parts/其余金属件: Nickel plated brass/铜镀镍
Glue filling type/灌胶类型: White silica gel/白色硅胶
Insulator material/绝缘材料: PEEK
IP Rating/防护等级: IP68(2m水深24h) 插入状态

*ALL MATERIALS ARE RoHS COMPLIANT/所有材料均符合RoHS要求

型号命名 \rightarrow FX·1031·Z02·CC·054·B1·N-B 1



TOLERANCES UNLESS OTHERWISE SPECIFIED: 未标注尺寸公差: ± 0.1 未标注角度公差: $\pm 0.5^\circ$	FIRST ANGLE PROJECTION	Product name/产品名称 FX1031 Socket FX1031固定式插座	
	SIZE: A4 SCALE: 1: 1	UNITS: mm SHEET: 1 OF 1	
DRAWN BY: 绘图: Pd04	DATE/日期: 2024-04-25	QM NO 料号: FX1031Z02CC054B1N-B1	REV/ 版本: A1
CHECKED BY: 审核: Pd02	DATE/日期: 2024-04-25	DRAWING NO 图号	
APPROVED BY: 核准: Pd02	DATE/日期: 2024-04-25	CUSTOMER NO 客户料号	
		 QM(Quanna) Connector Shenzhen Co. LTD 深圳市全马连接器有限公司	