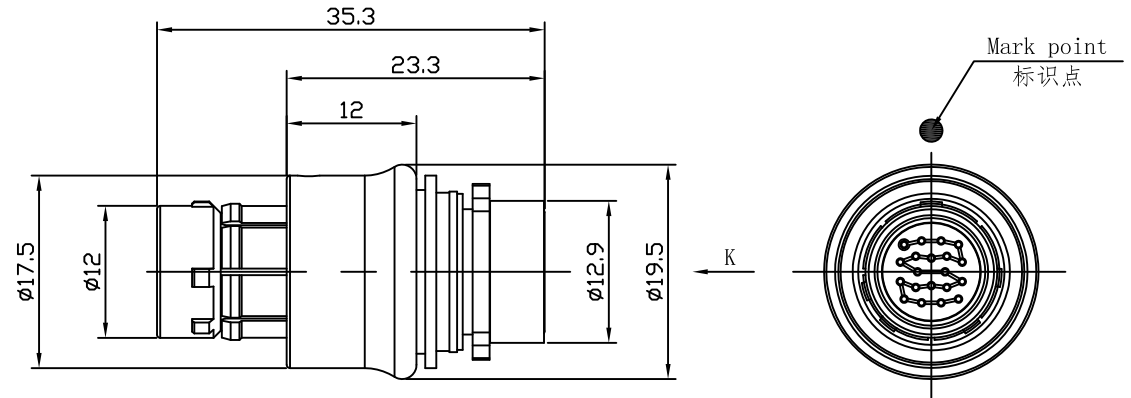


REV/版本	DESCRIPTION/变更内容	DATE/日期	DRAWN BY/绘图
A/2	更新部分参数	2021-08-24	Pd04

1) Product main performance/产品主要性能指标:

Operating Temperature/工作温度: -55°C~200°C  
 Humidity(max)/最大潮湿: <=95% [at 60 deg C / 140 F]  
 Shielding /屏蔽性能: 55dB(1GHz)  
 Salt Spray Corrosion/盐雾: 96hr  
 P op (max)/最大环境压力: 60 bar (870 psi)  
 Insert Configuration/针芯配置: 20芯 代码: 038  
 Pin Size/接触件直径:  $\phi 0.5\text{mm}$   
 R (Max)/接触电阻:  $\leq 15\text{m}\Omega$   
 Differential transmission rate/差分传输速率: 3.4Gbps  
 Insulation resistance/绝缘电阻: 5000M $\Omega$   
 Withstand voltage/耐电压: 750V  
 Rated Current/额定电流: 1.8A  
 Cable AWG/配接电缆规格:  $\phi 8.1-\phi 10\text{mm}/26\text{AWG}$



2) Mechanical data/机械特性:

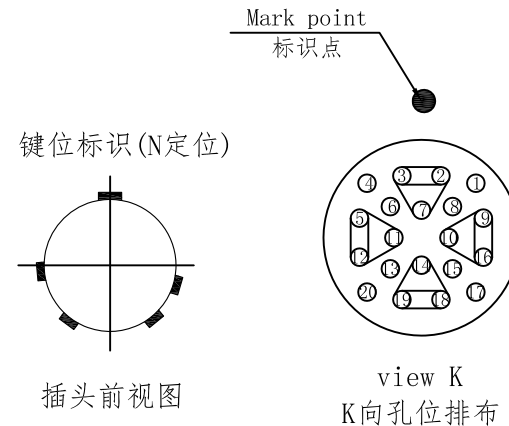
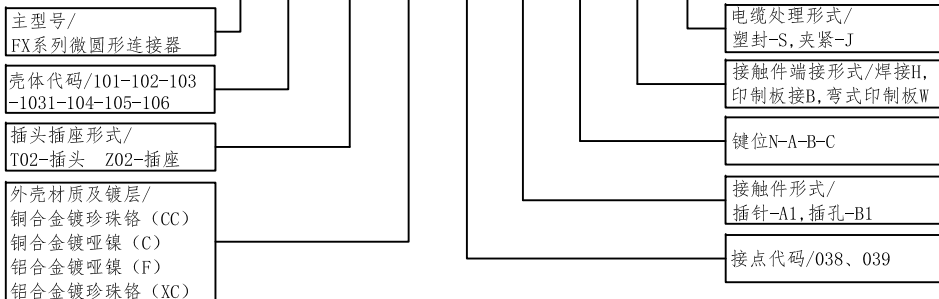
Vibration/振动:  $1.0\text{G}^2/\text{Hz}$ , 均方根值36.6G,  $\leq 1\mu\text{s}$ 瞬断  
 Shock Resistance/冲击: 加速度2940m/s<sup>2</sup>,  $\leq 1\mu\text{s}$ 瞬断  
 Endurance (Shell)/机械寿命: 5000+

3) Other Specification/其它规格:

Contact PIN/接触件: Gold plated Tin bronze/锡青铜镀金  
 Housing Material/外壳材质: Dark nickel plated brass/铜镀哑镍  
 Other metal spare parts/其余金属件: nickel plated brass/铜镀镍  
 Insulator material/绝缘材料: PEEK  
 IP Rating/防护等级: IP68

\*ALL MATERIALS ARE RoHS COMPLIANT/所有材料均符合RoHS要求

型号命名  $\rightarrow$  FX·104·T02·C·038·A1·N-H·S



孔位	信号定义	孔位	信号定义
2	DATA1+	1	Signal or Powr
7	Shield	8	Signal or Powr
3	DATA1-	15	Signal or Powr
5	DATA2+	17	Signal or Powr
11	Shield	13	Signal or Powr
12	DATA2-	20	Signal or Powr
18	DATA3+	4	Signal or Powr
14	Shield	6	Signal or Powr
19	DATA3-		
9	DATA4+		
10	Shield		
16	DATA4-		

TOLERANCES UNLESS OTHERWISE SPECIFIED: 未标注尺寸公差: $\pm 0.1$ 未标注角度公差: $\pm 0.5^\circ$	FIRST ANGLE PROJECTION	Product name/产品名称 FX104 plug	
	SIZE: A4 SCALE: 1: 1	UNITS: mm SHEET: 1 OF 1	
DRAWN BY: 绘图: PD04	DATE/日期: 2021-08-24	QM NO 料号: FX104T02C038A1N-HS	REV/ 版本: A2
CHECKED BY: 审核: PD02	DATE/日期: 2021-08-24	DRAWING NO 图号	
APPROVED BY: 核准: PD02	DATE/日期: 2021-08-24	CUSTOMER NO 客户料号	
		 QM(Quanna) Connector Shenzhen Co. LTD 深圳市全马连接器有限公司	